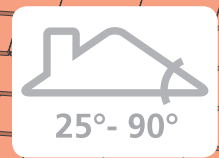
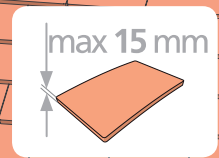
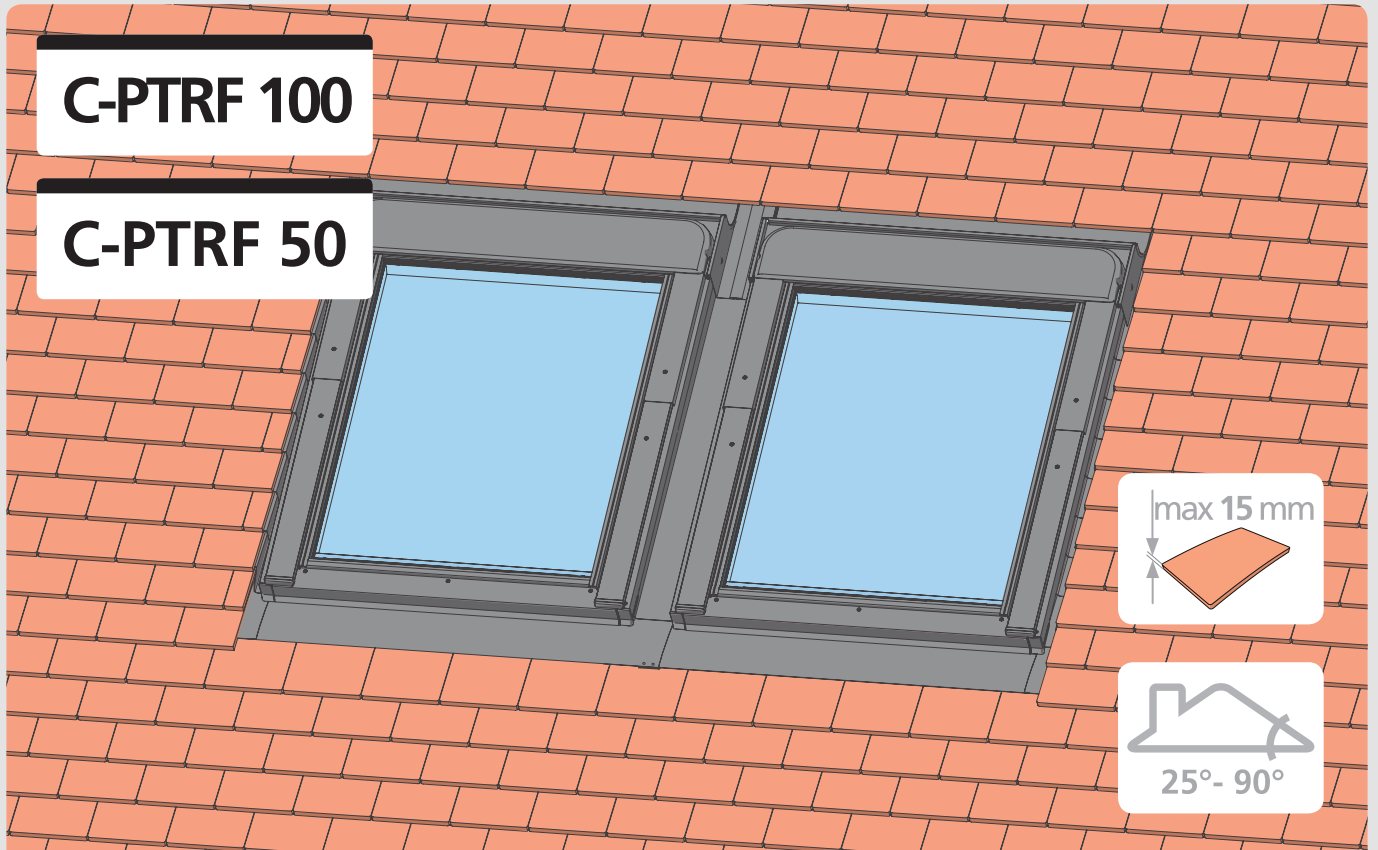


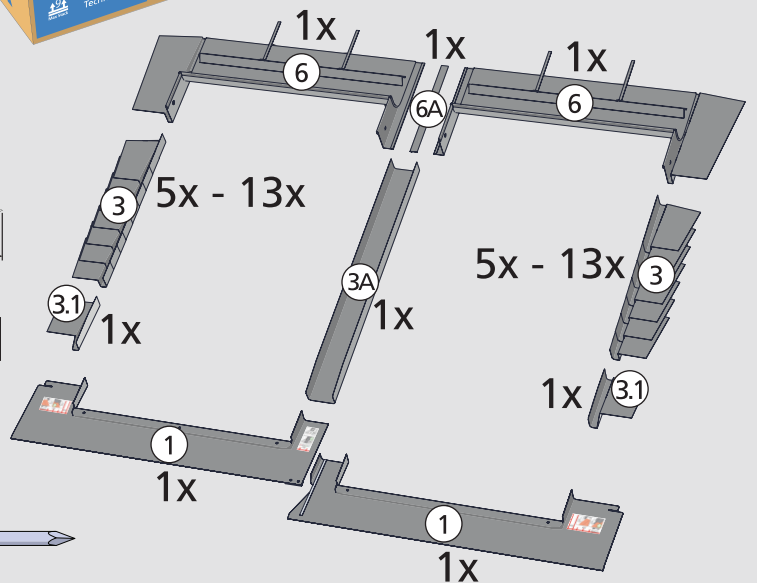
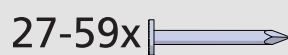
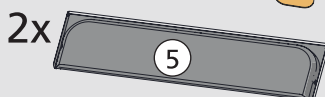
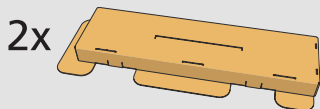
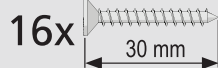
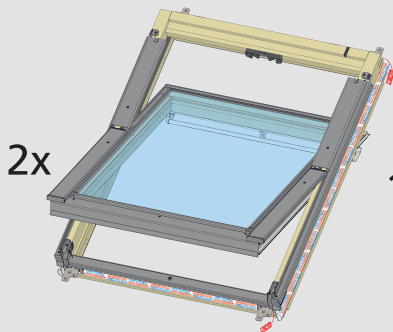
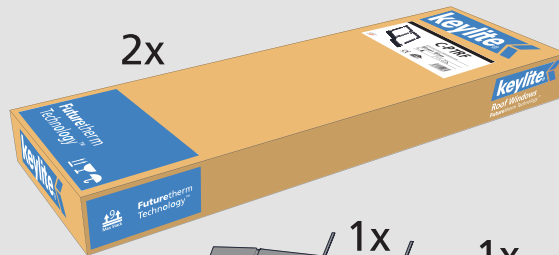


**C-PTRF 100**

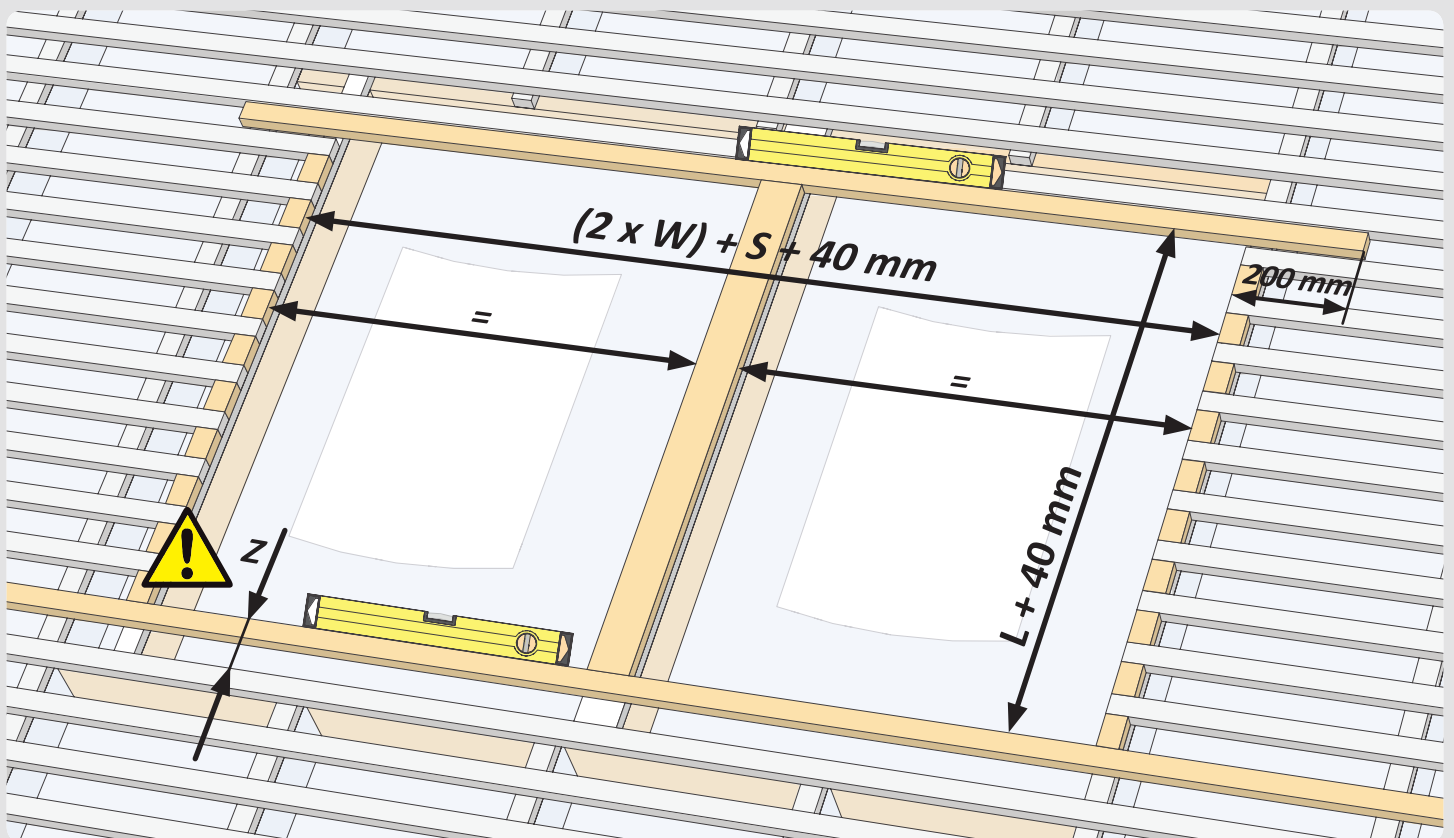
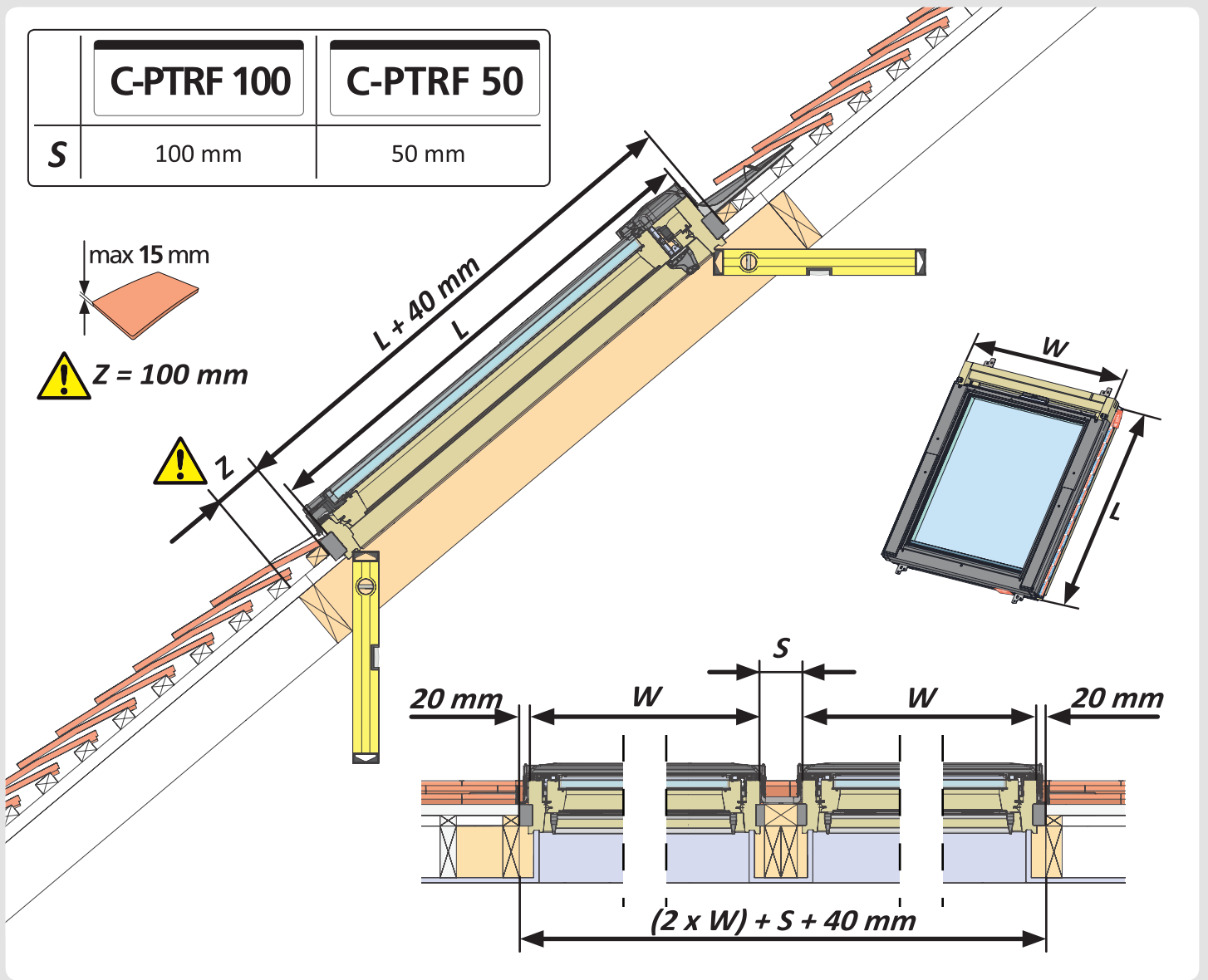
**C-PTRF 50**

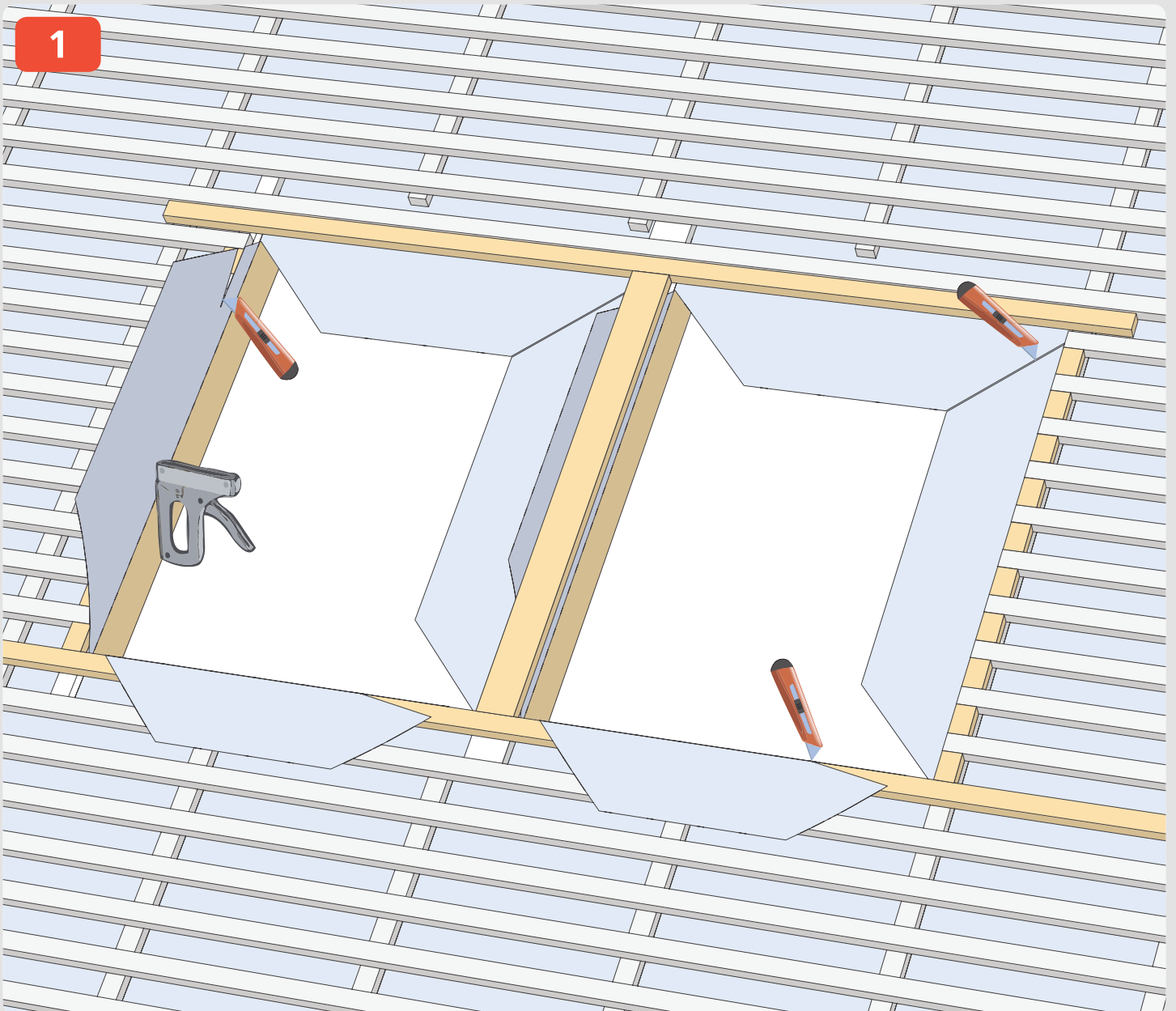
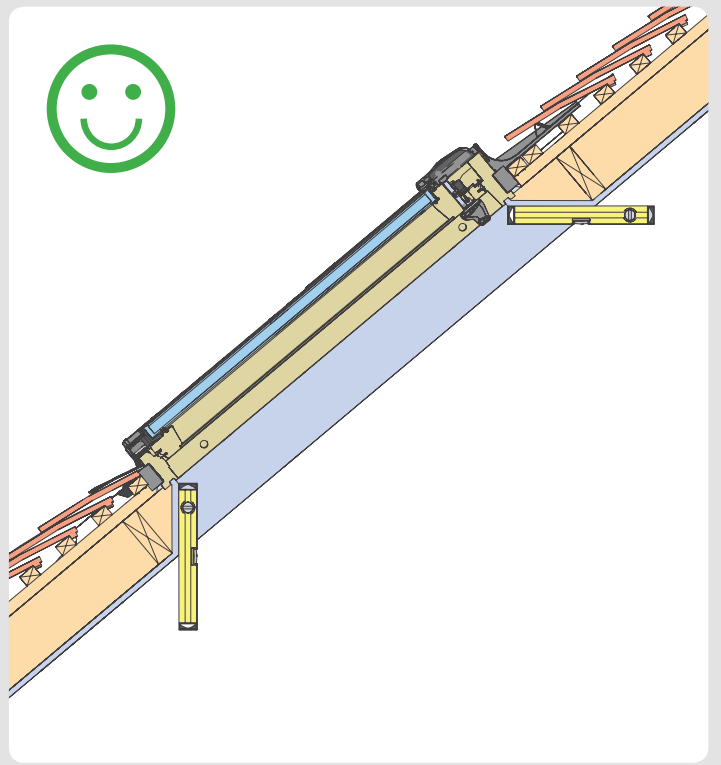
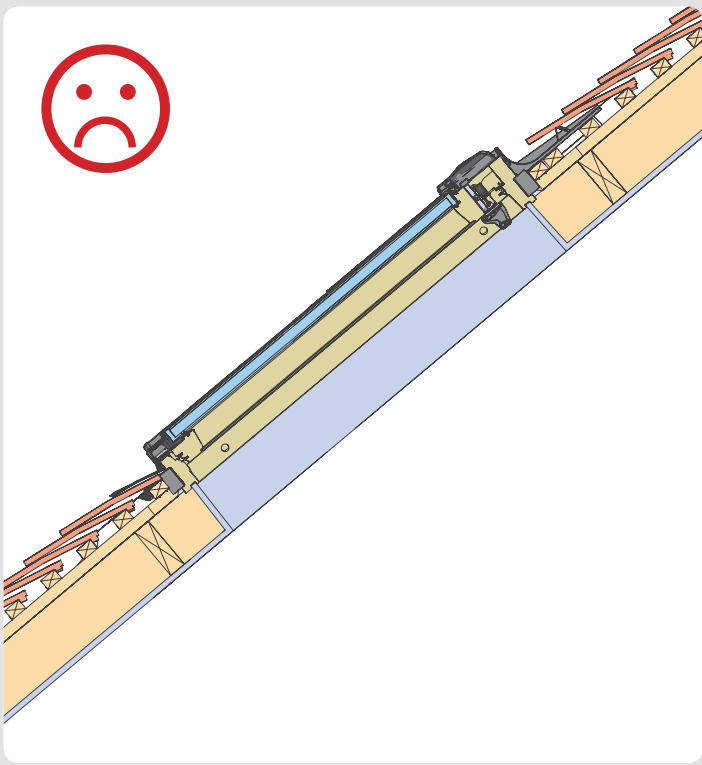


**Futuretherm Technology™**

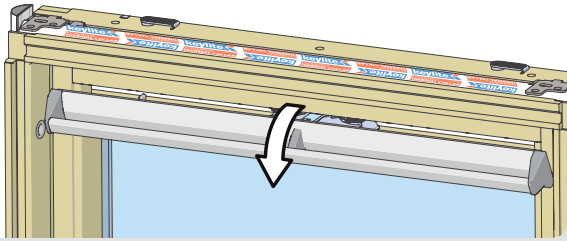


	C-PTRF 100	C-PTRF 50
<b>S</b>	100 mm	50 mm

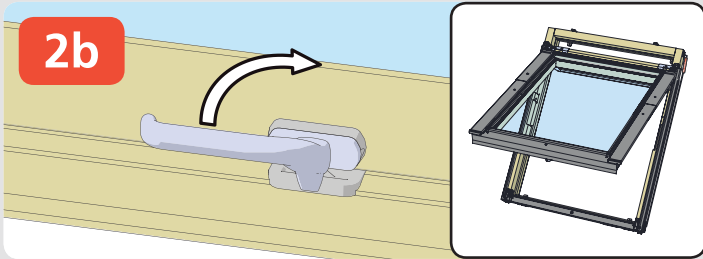




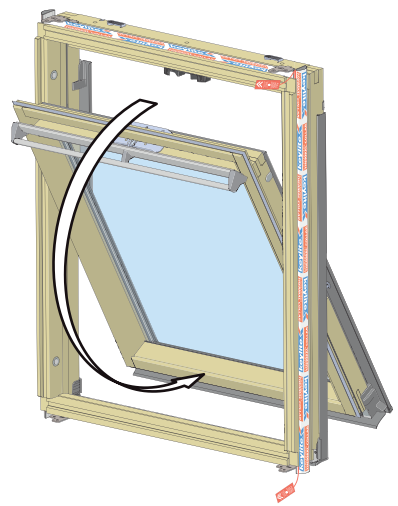
2a



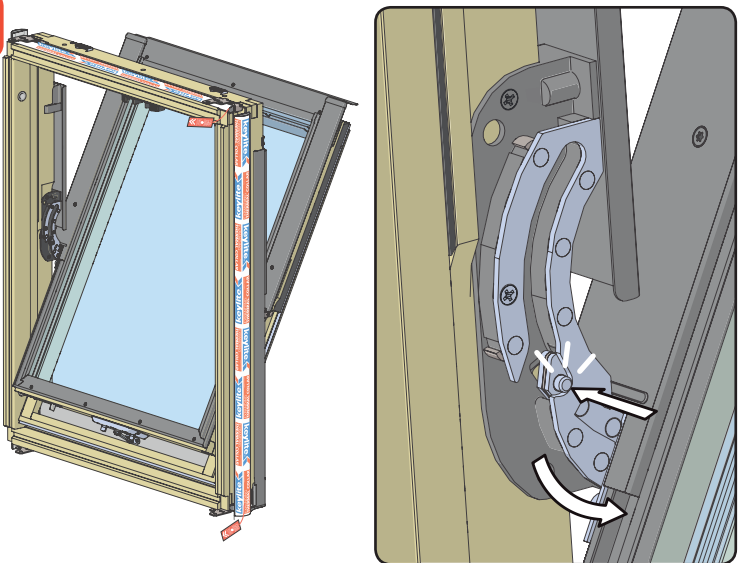
2b



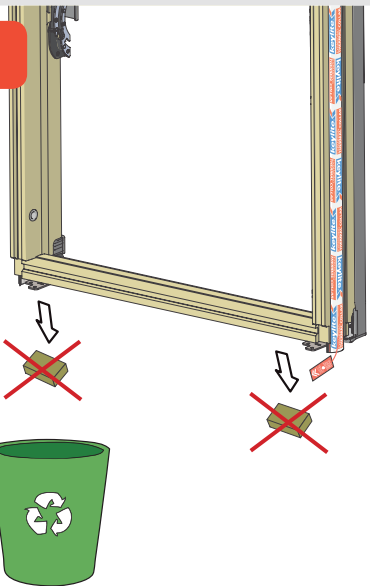
3



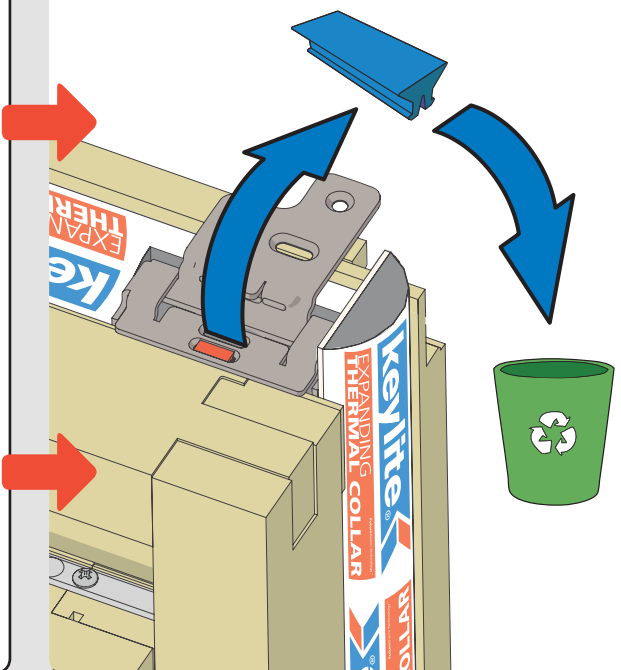
4



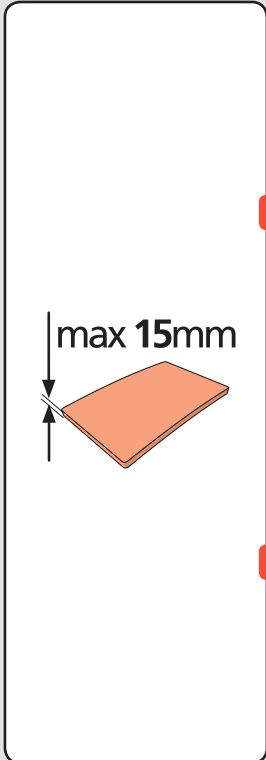
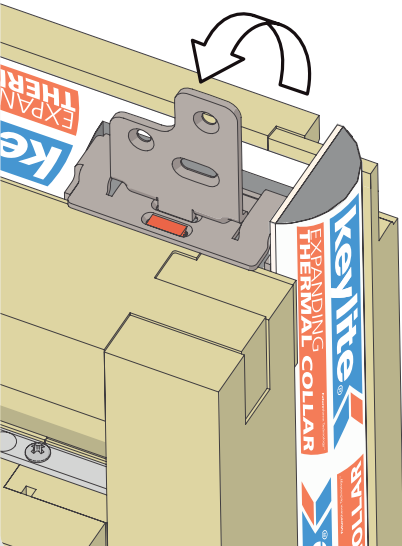
5



6

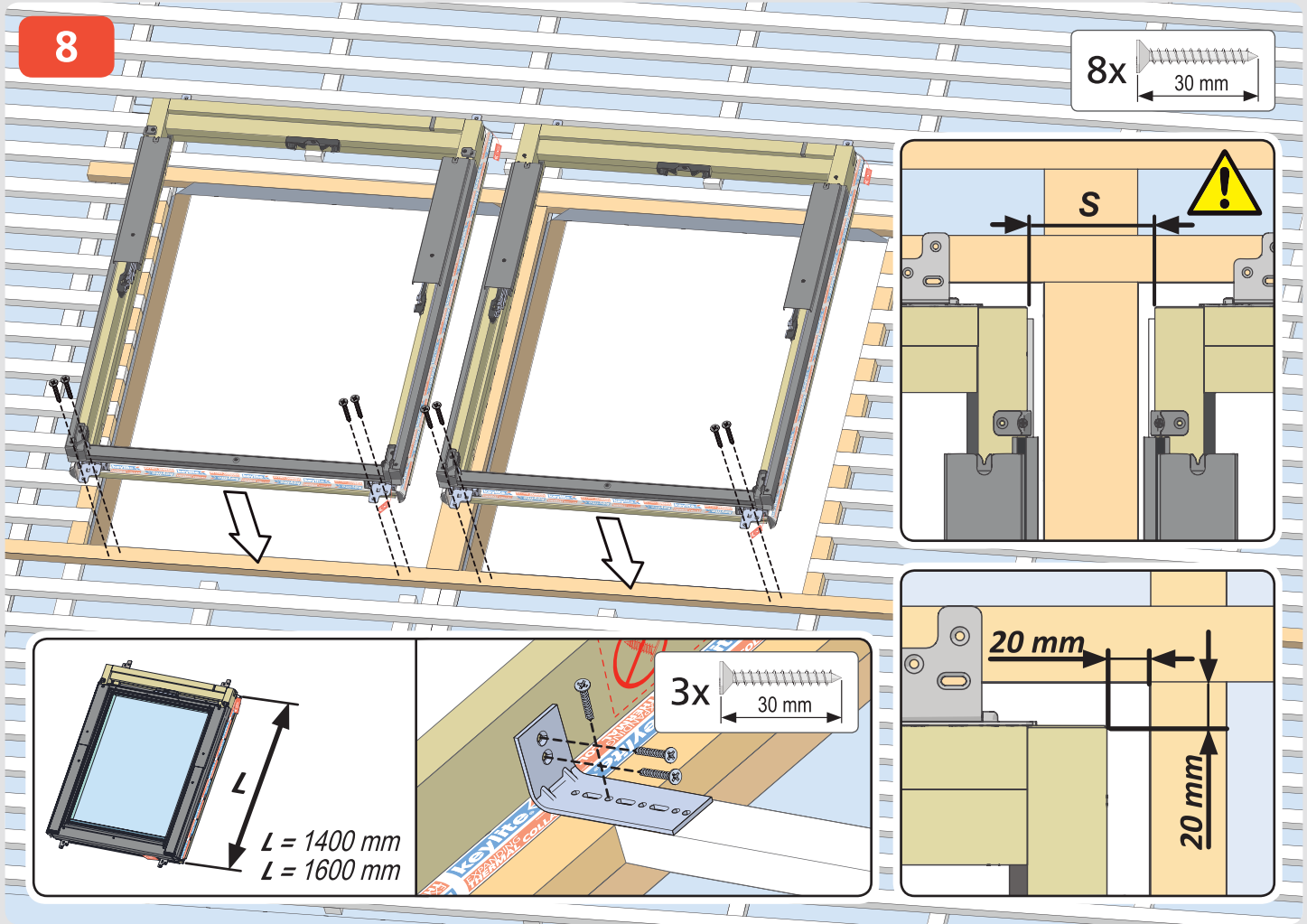


7

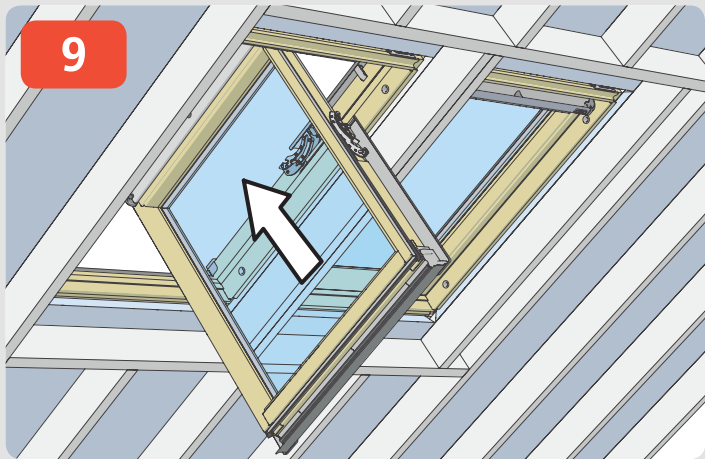


8

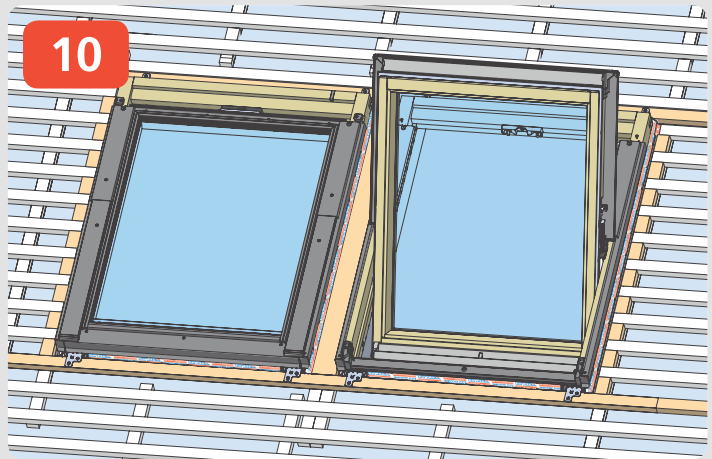
8x 30 mm



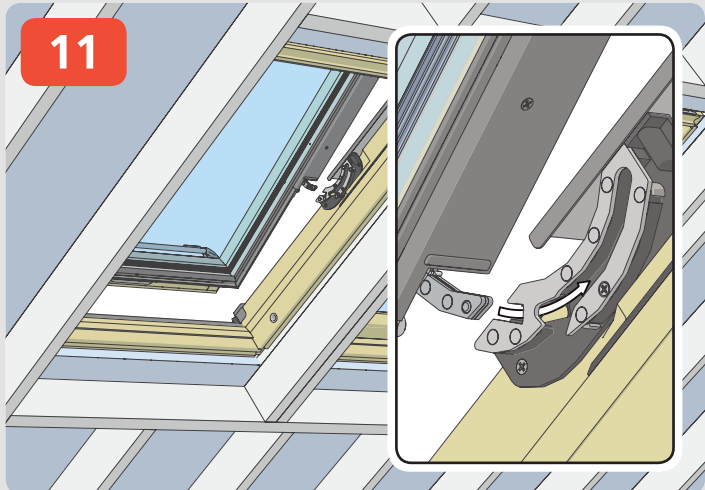
9



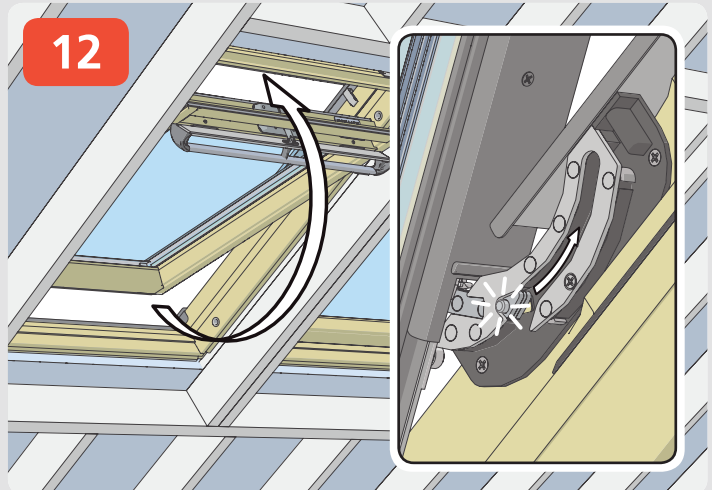
10

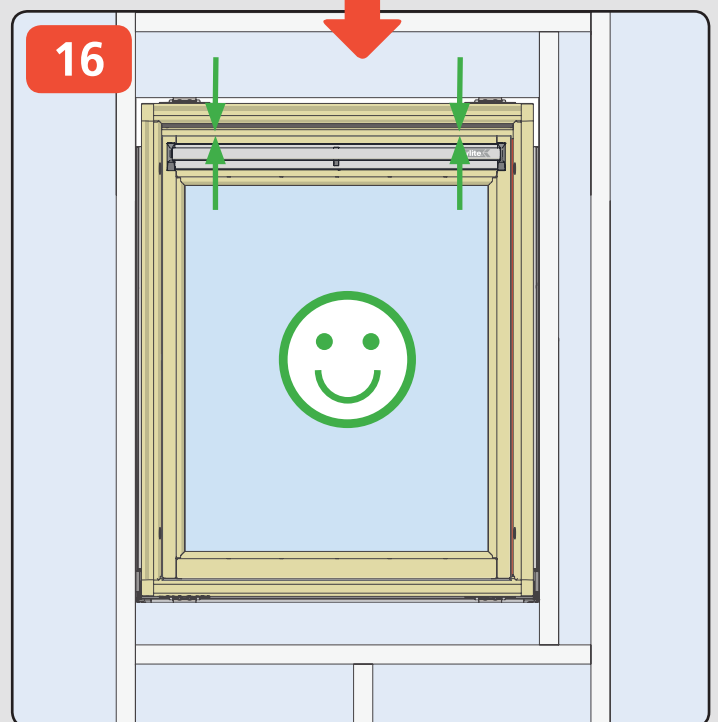
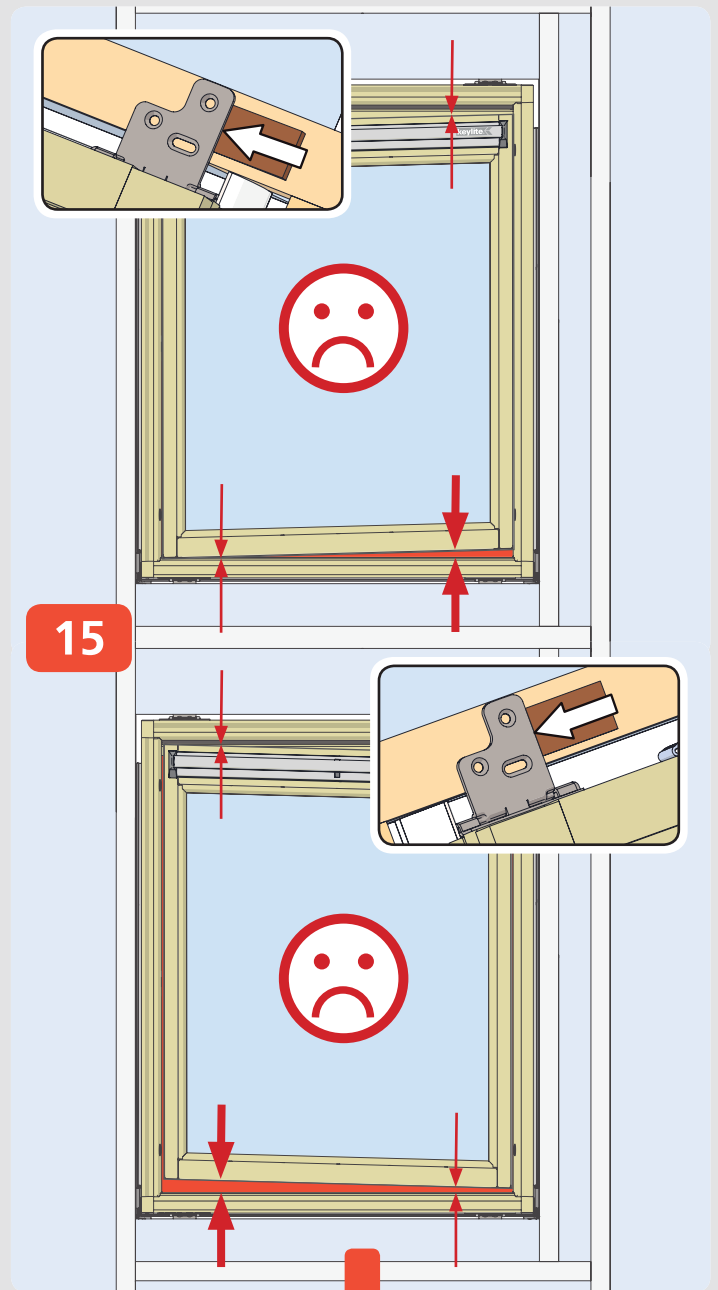
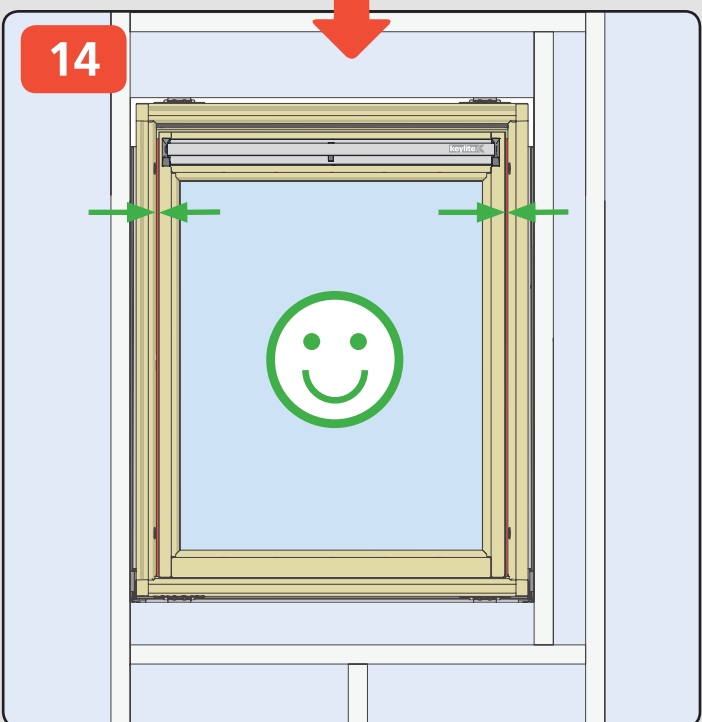
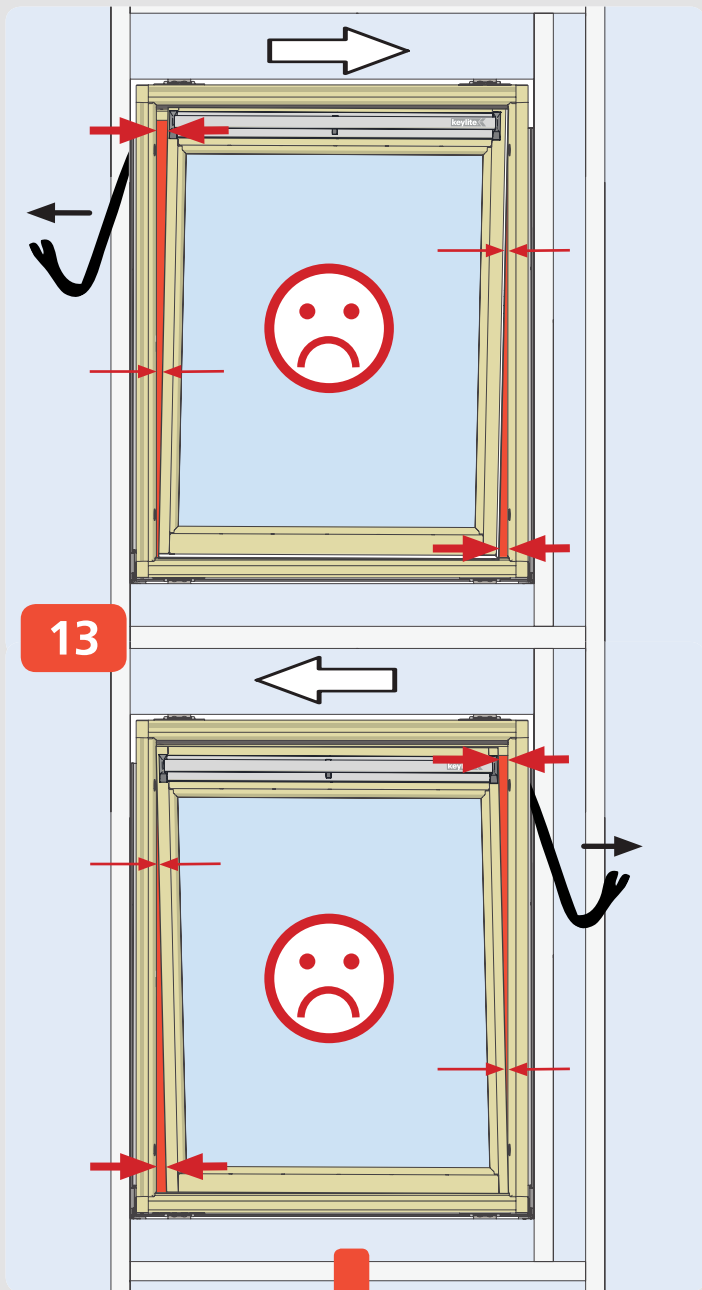


11

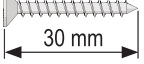


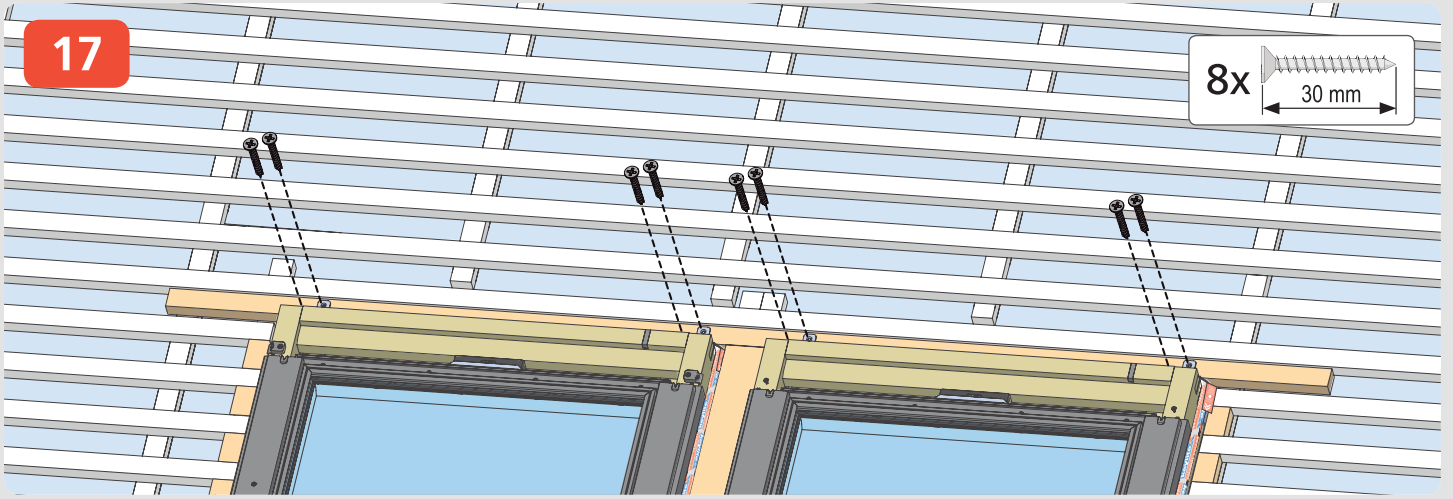
12



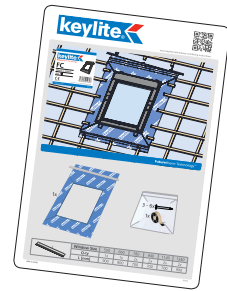
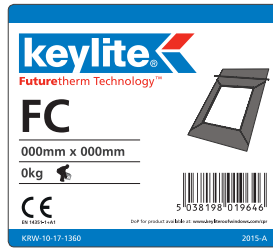
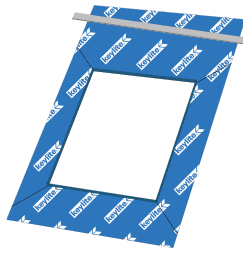


17

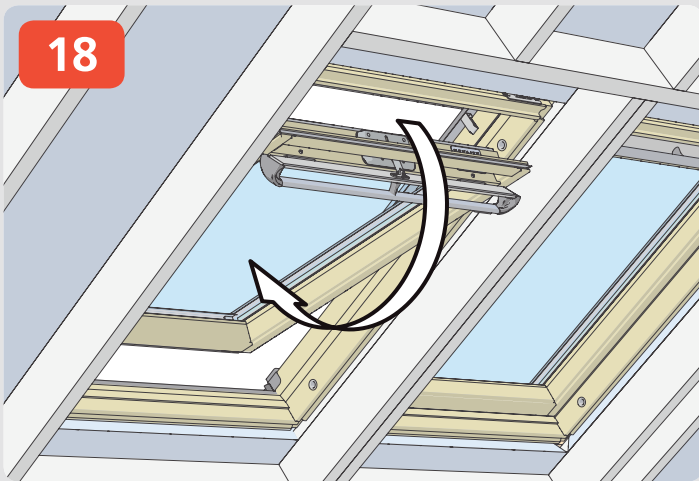
8x  30 mm



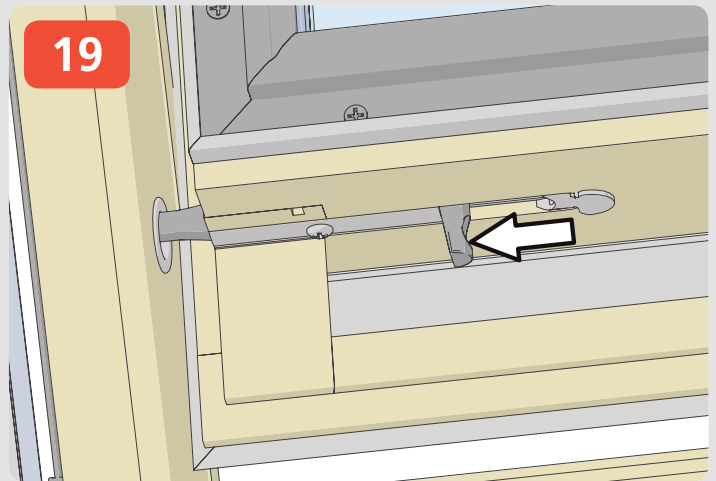
2x



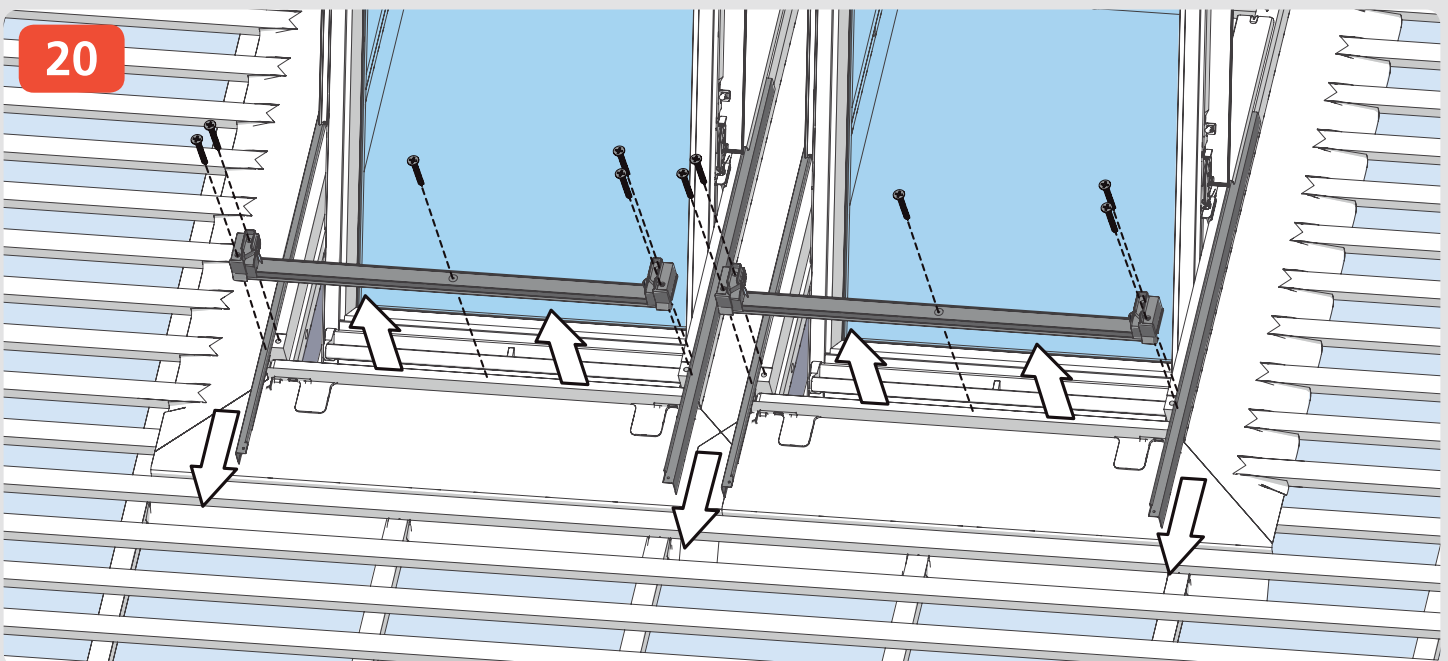
18



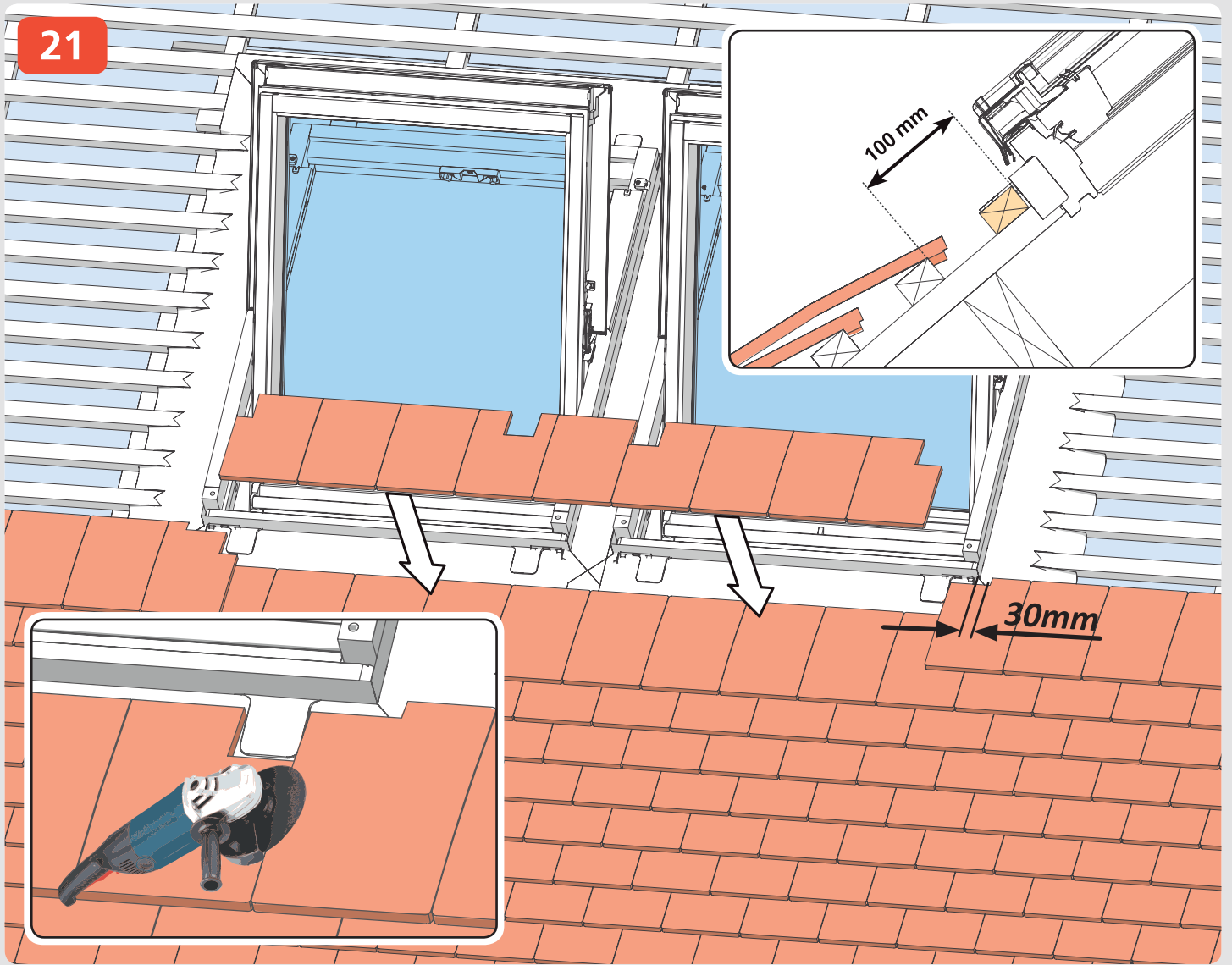
19



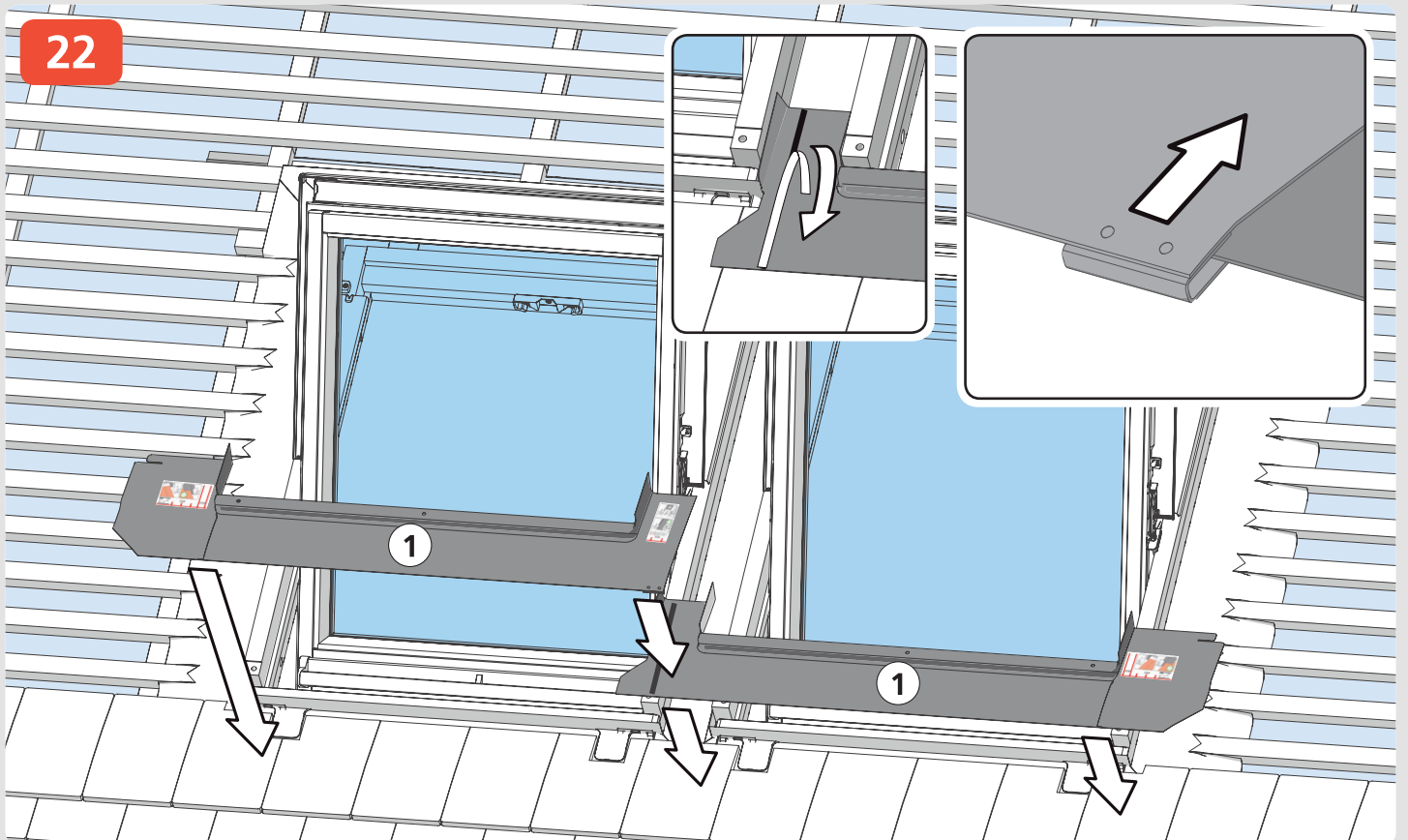
20



21

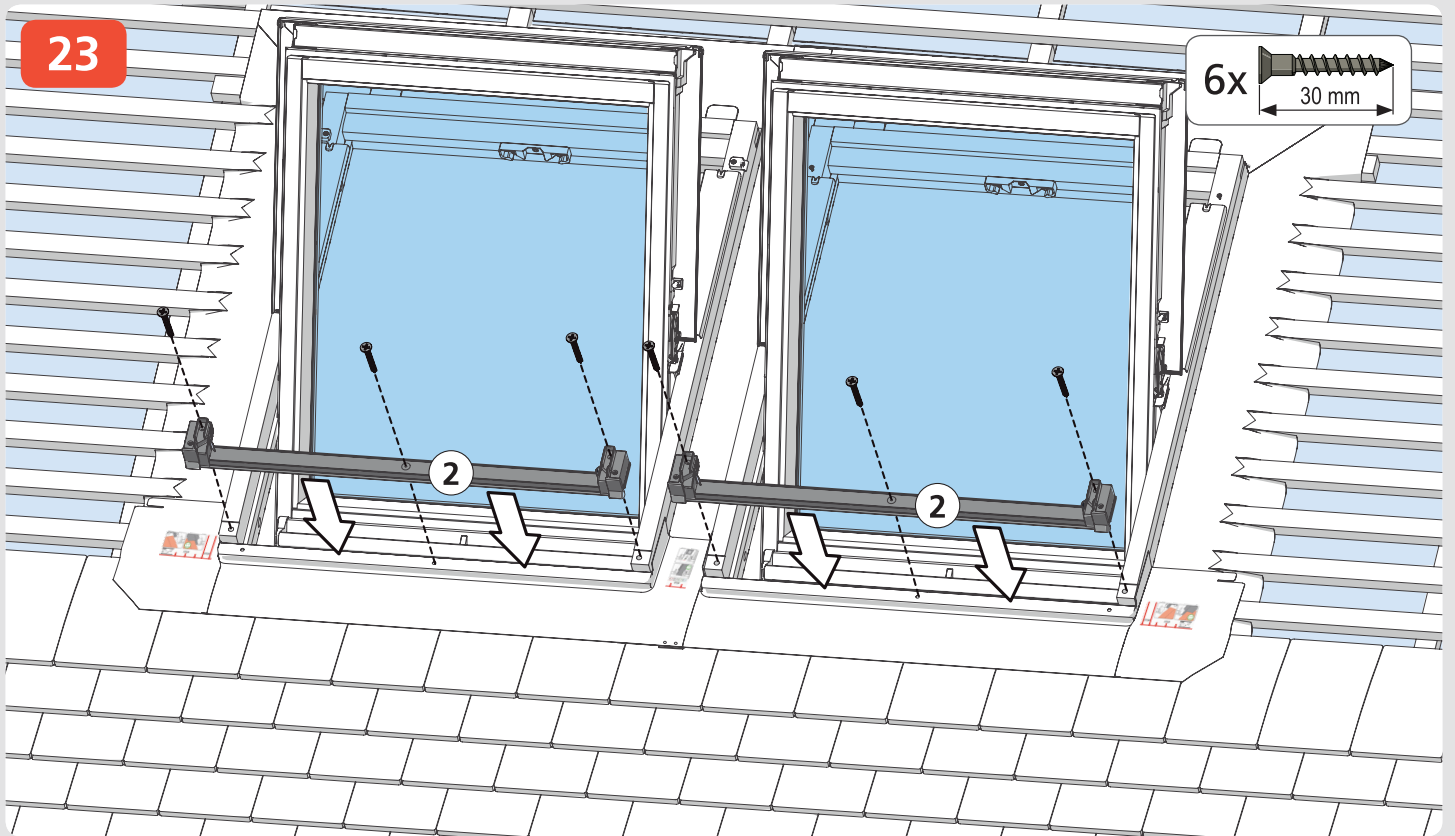


22

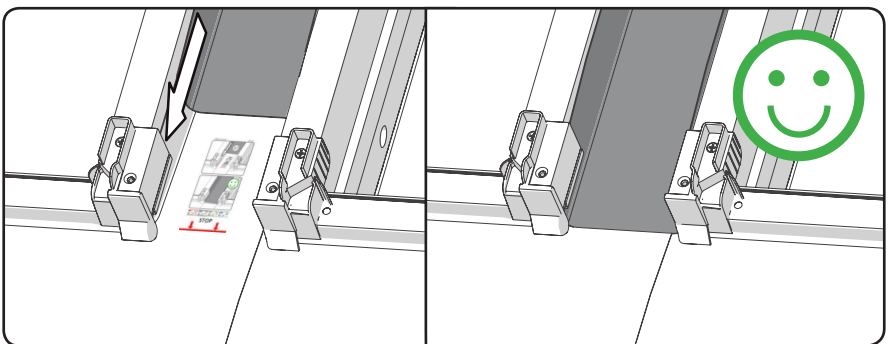
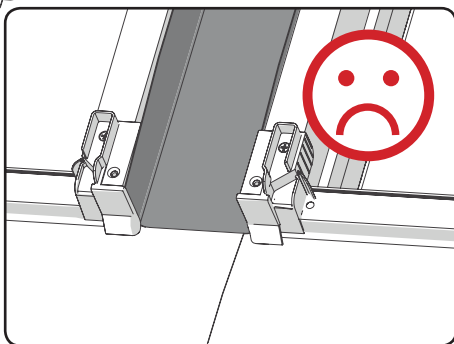
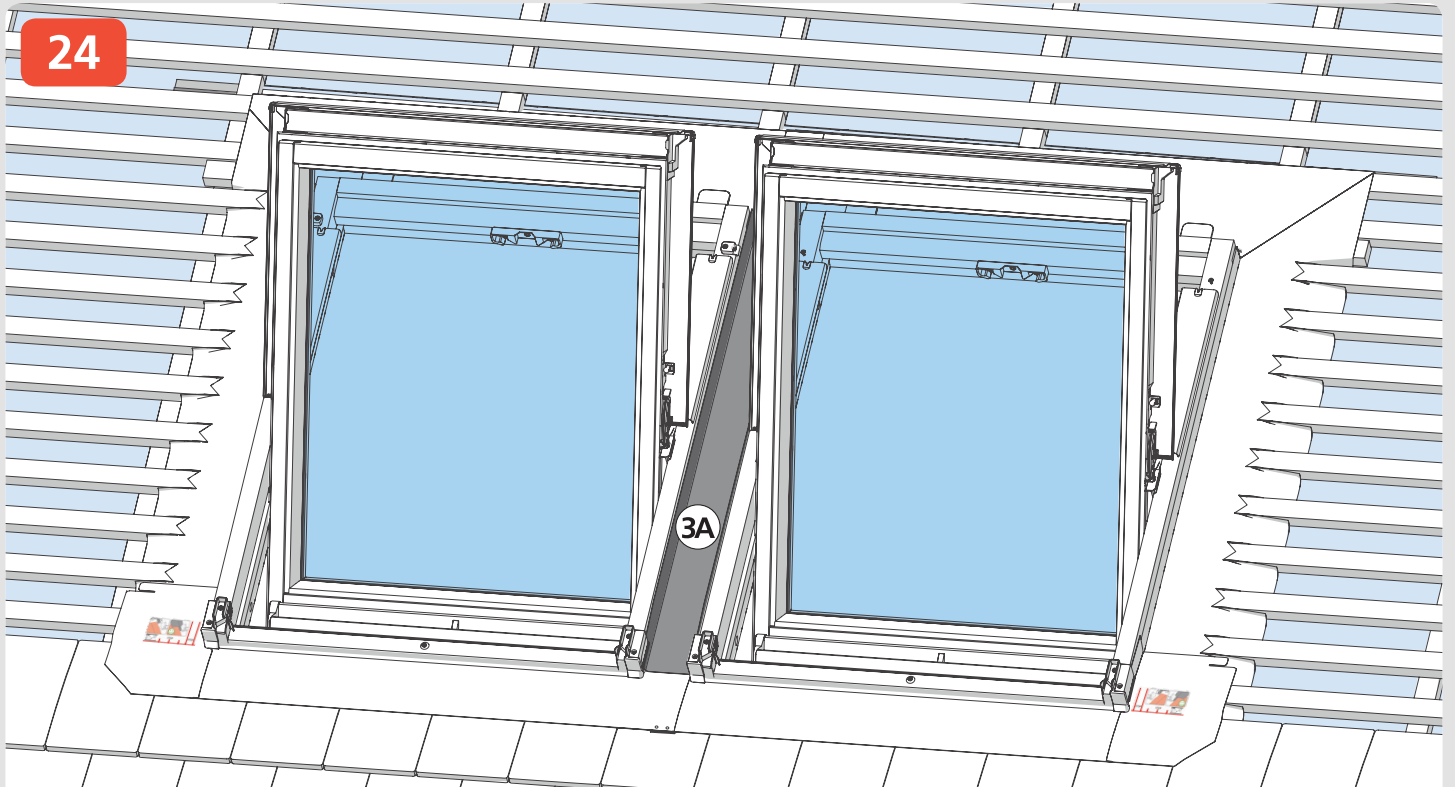




23

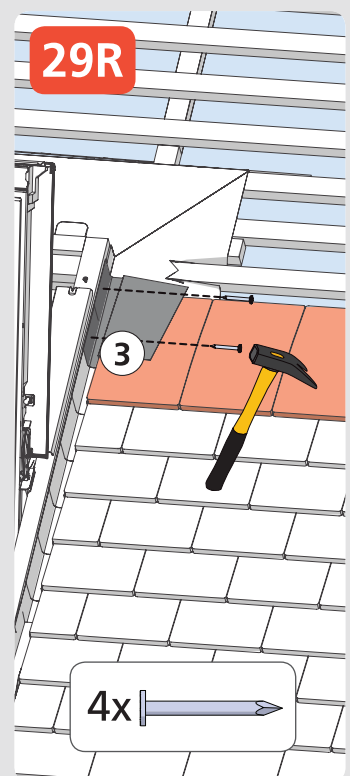
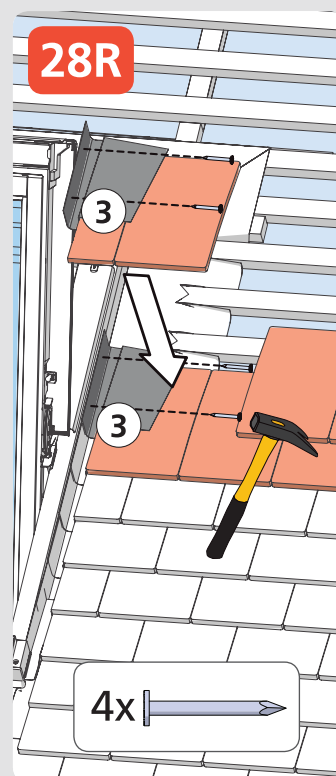
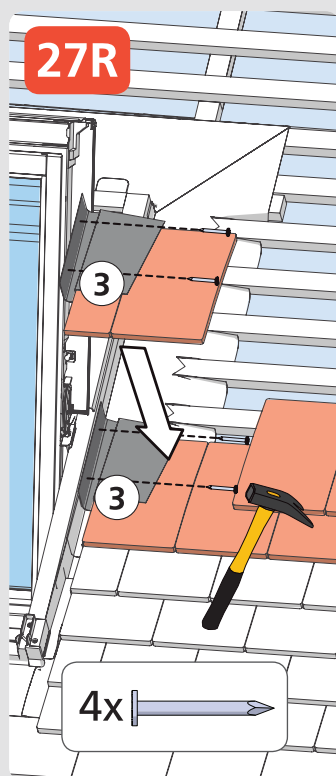
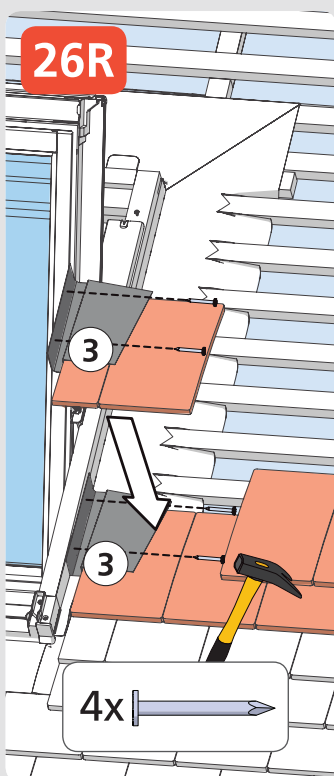
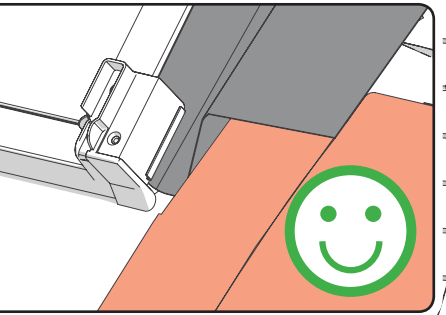
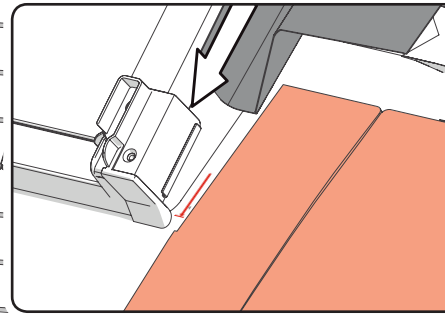
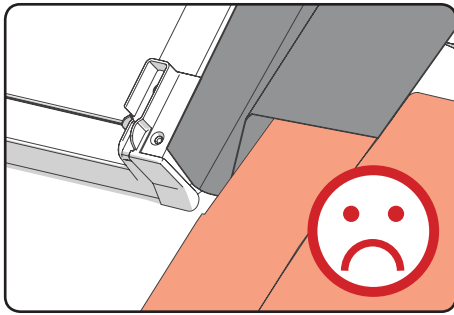
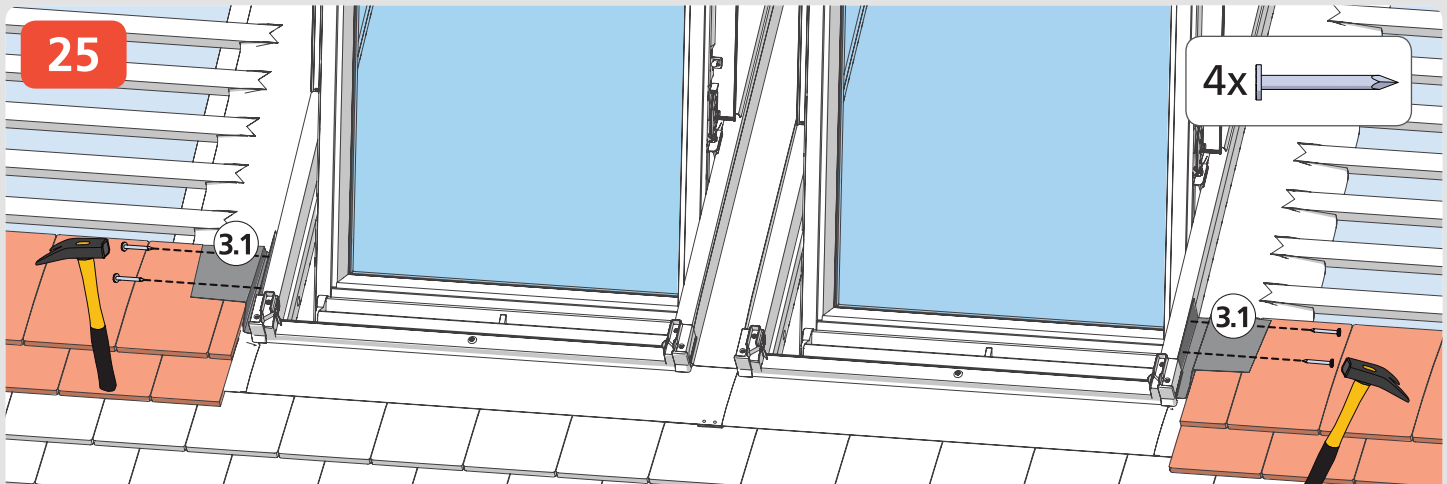
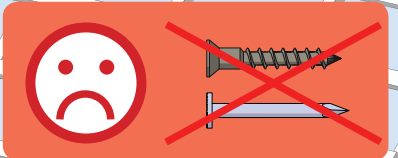
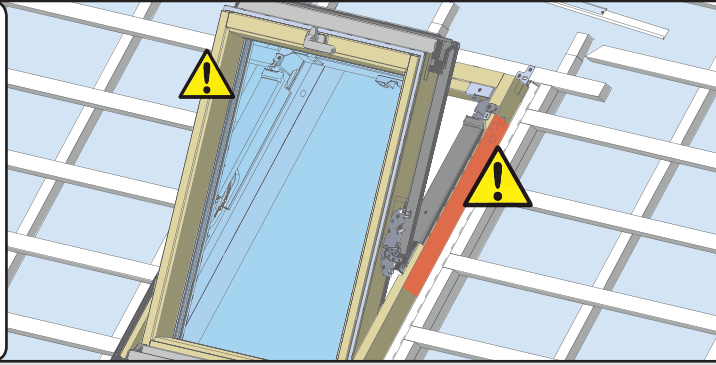


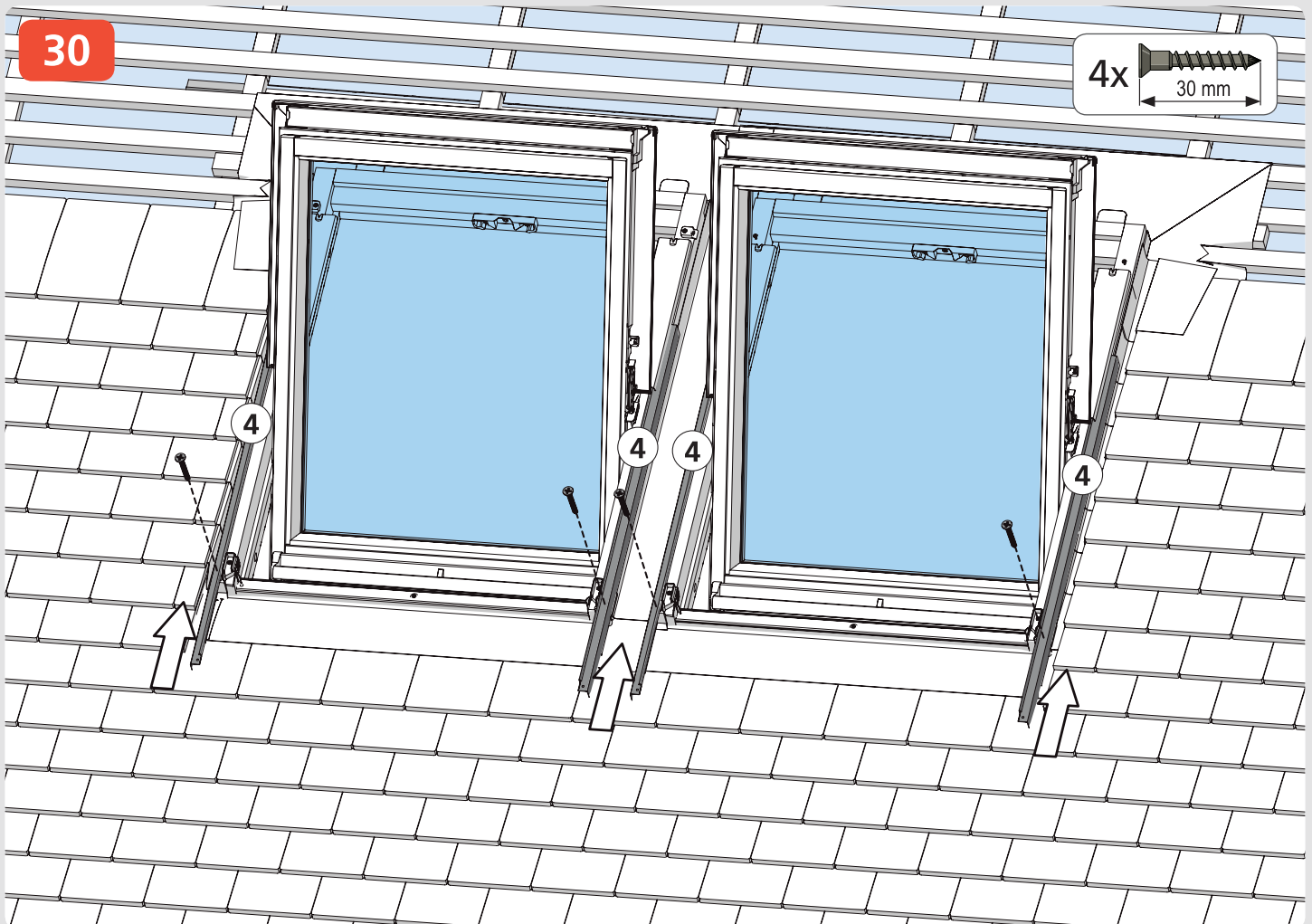
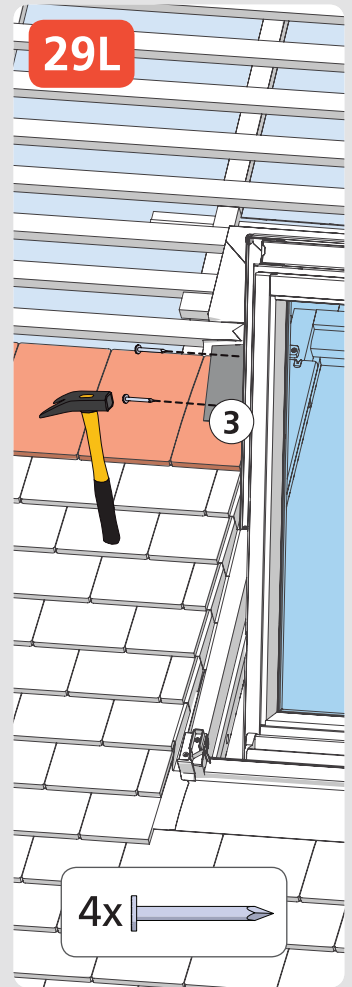
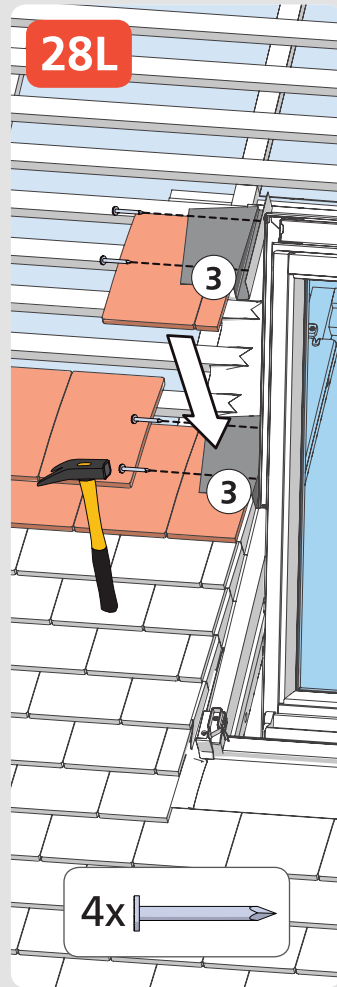
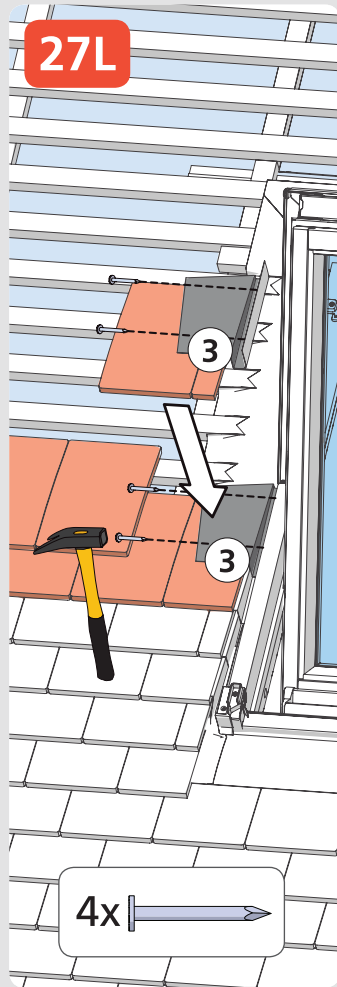
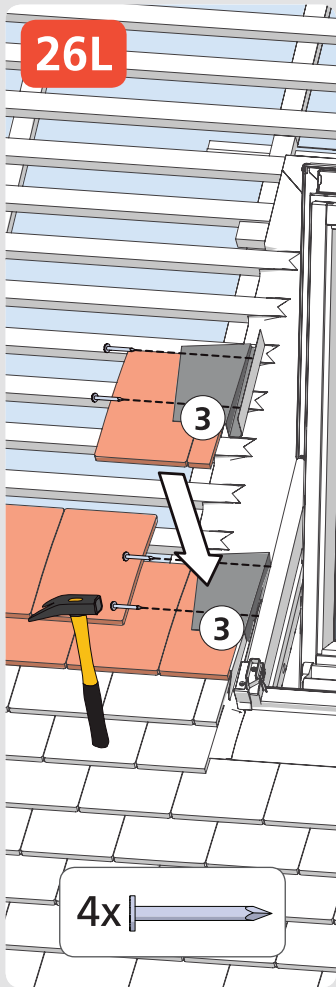
24

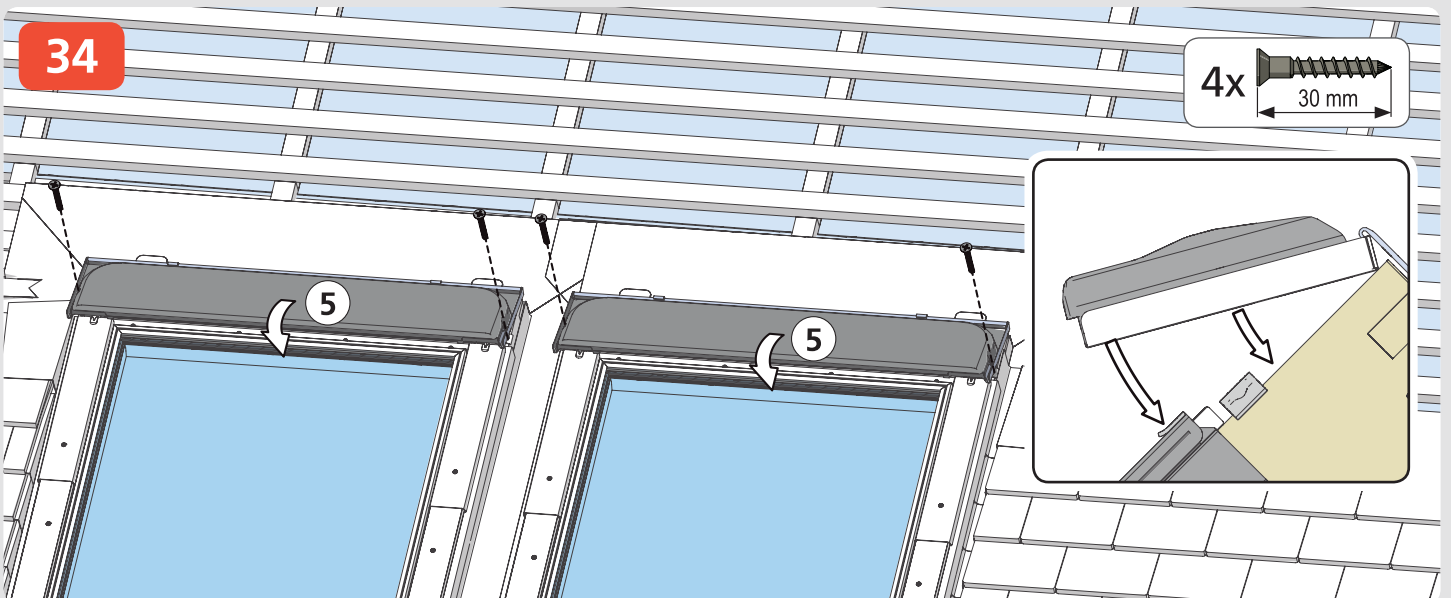
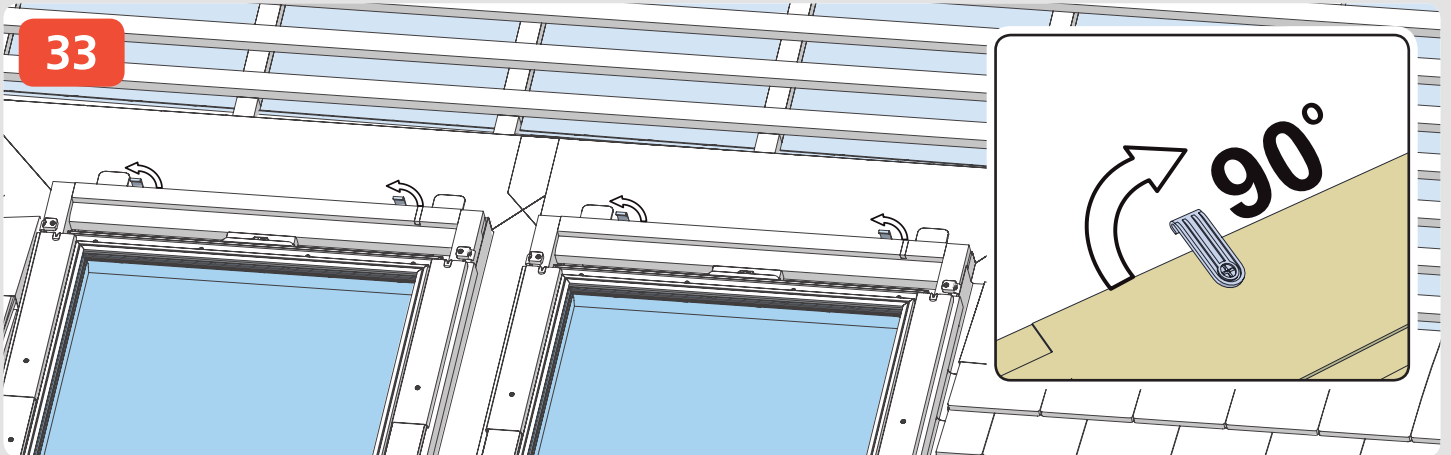
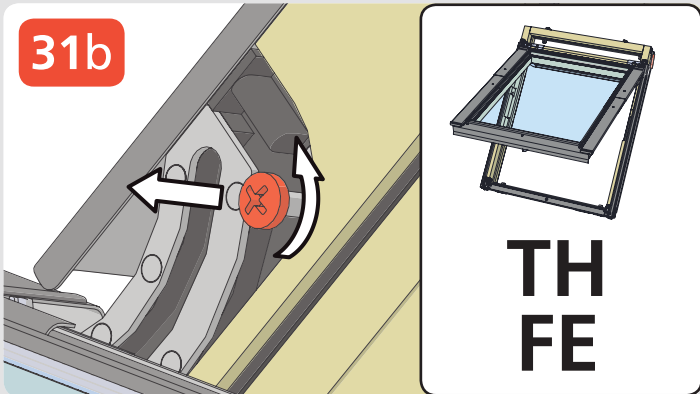
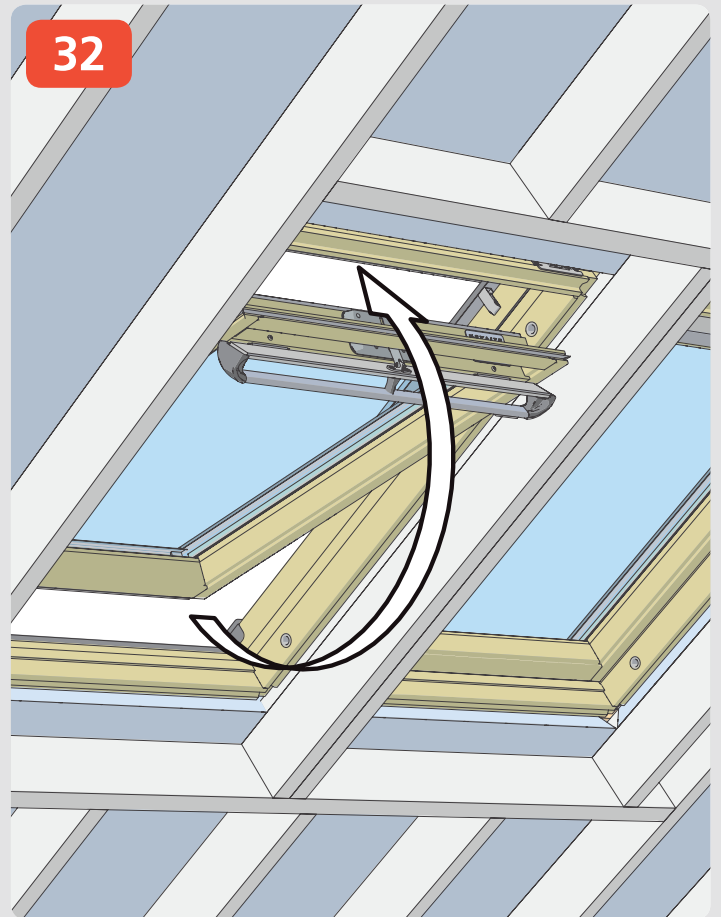
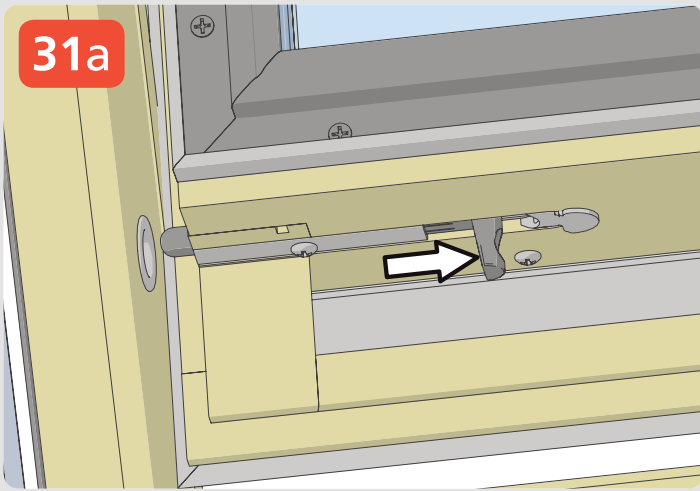




TH  
FE






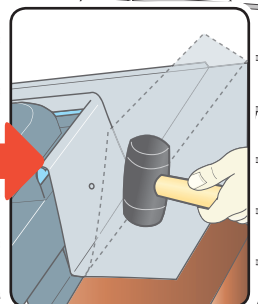
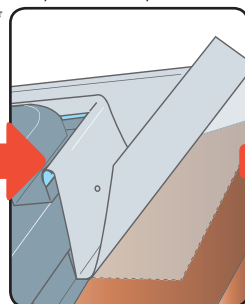
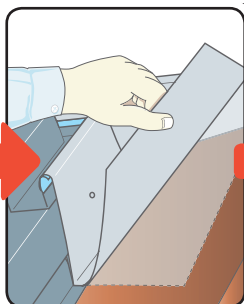
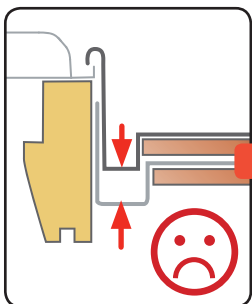
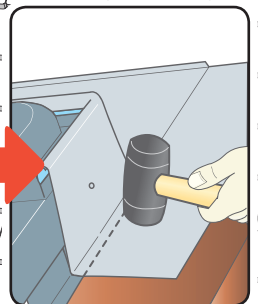
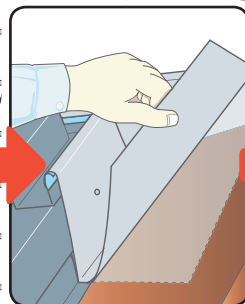
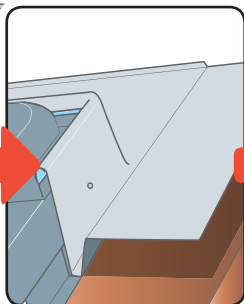
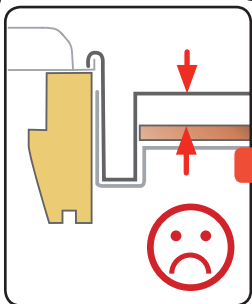
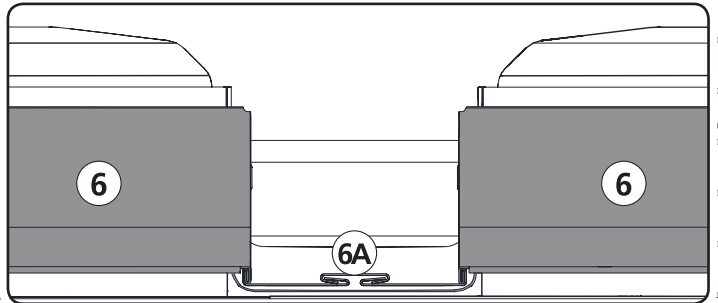
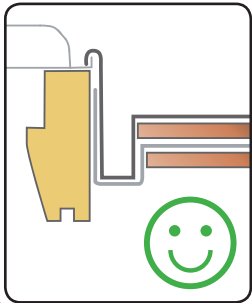
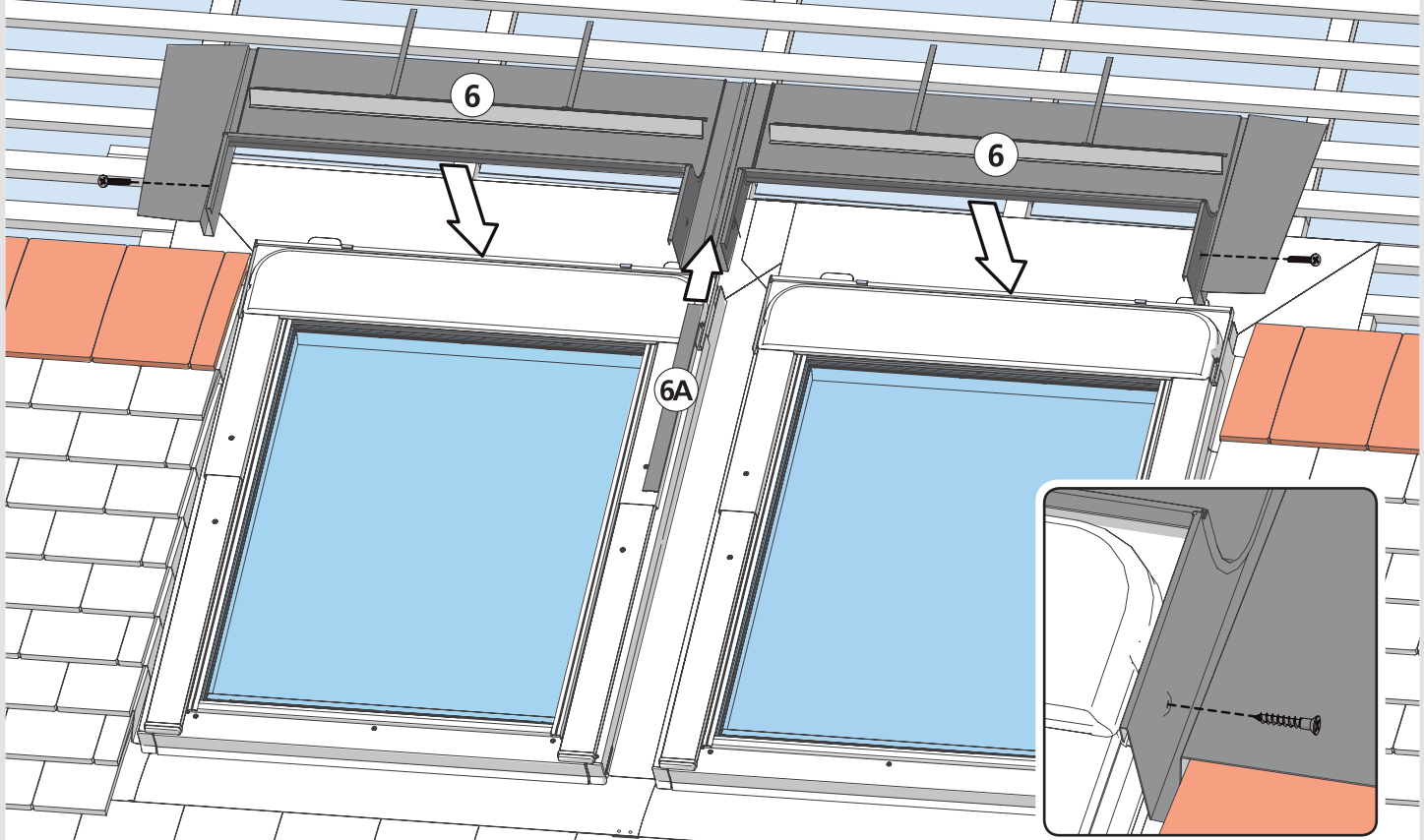


35a



C-PTRF 100

4x  30 mm

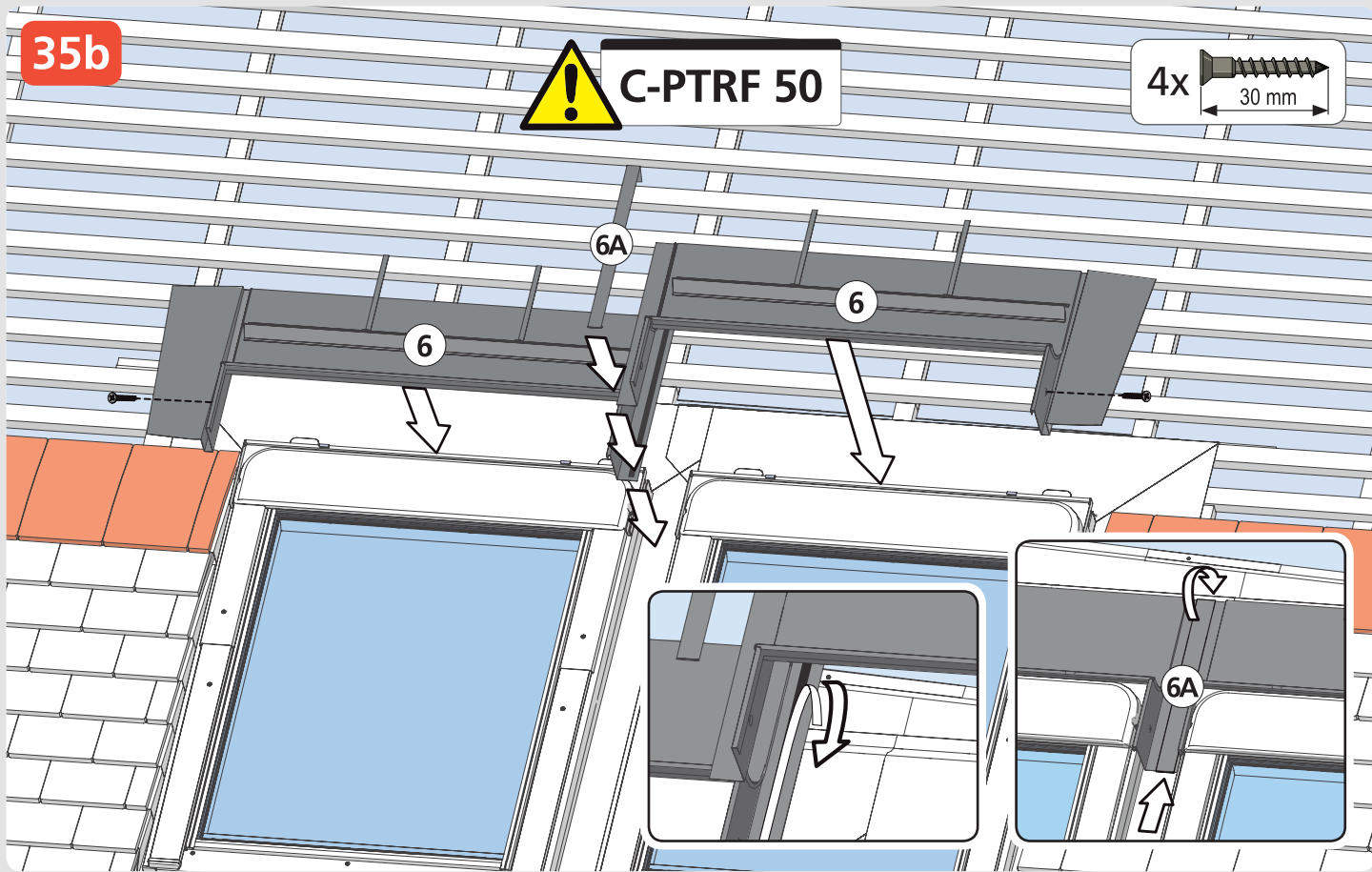
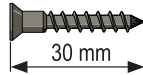


35b

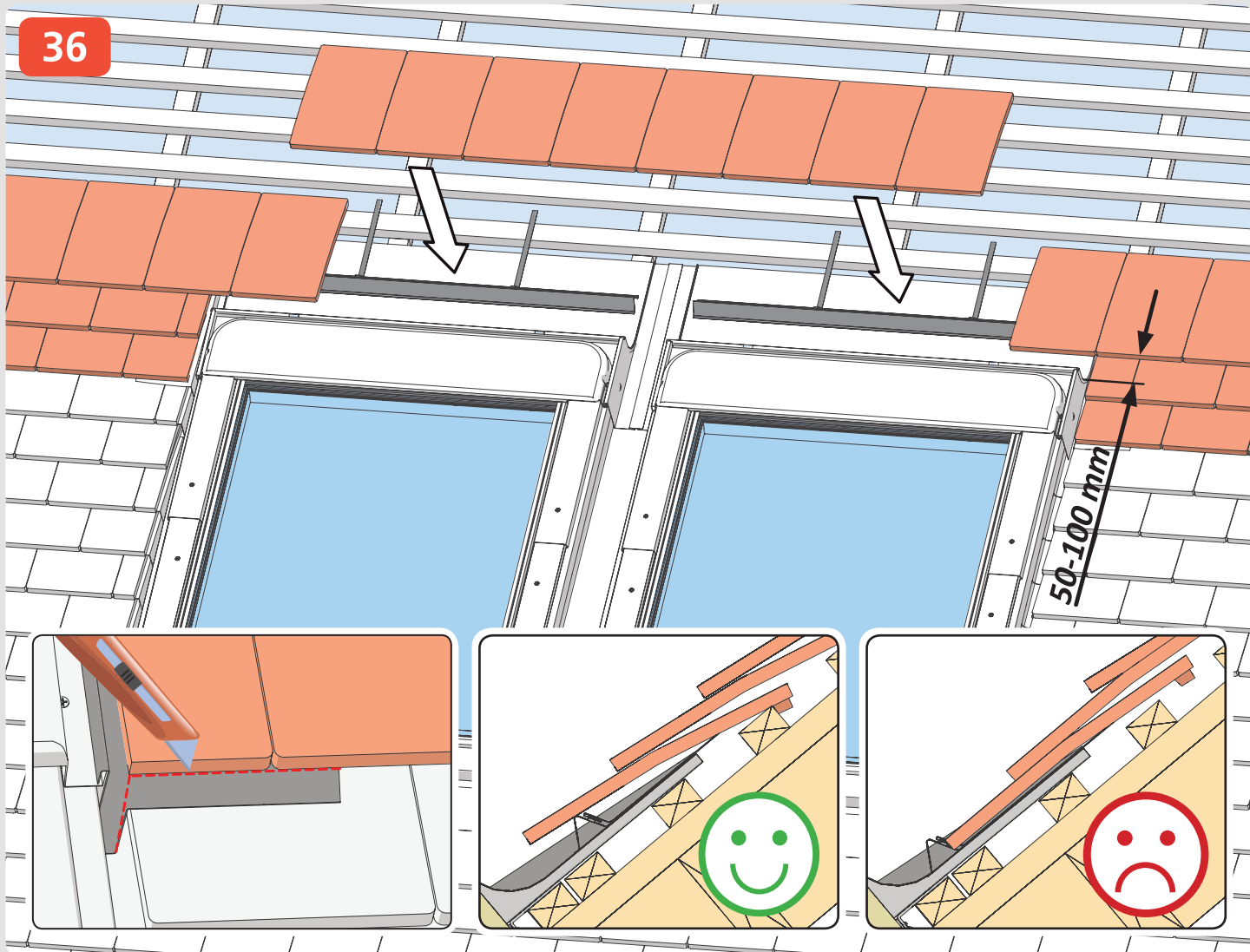


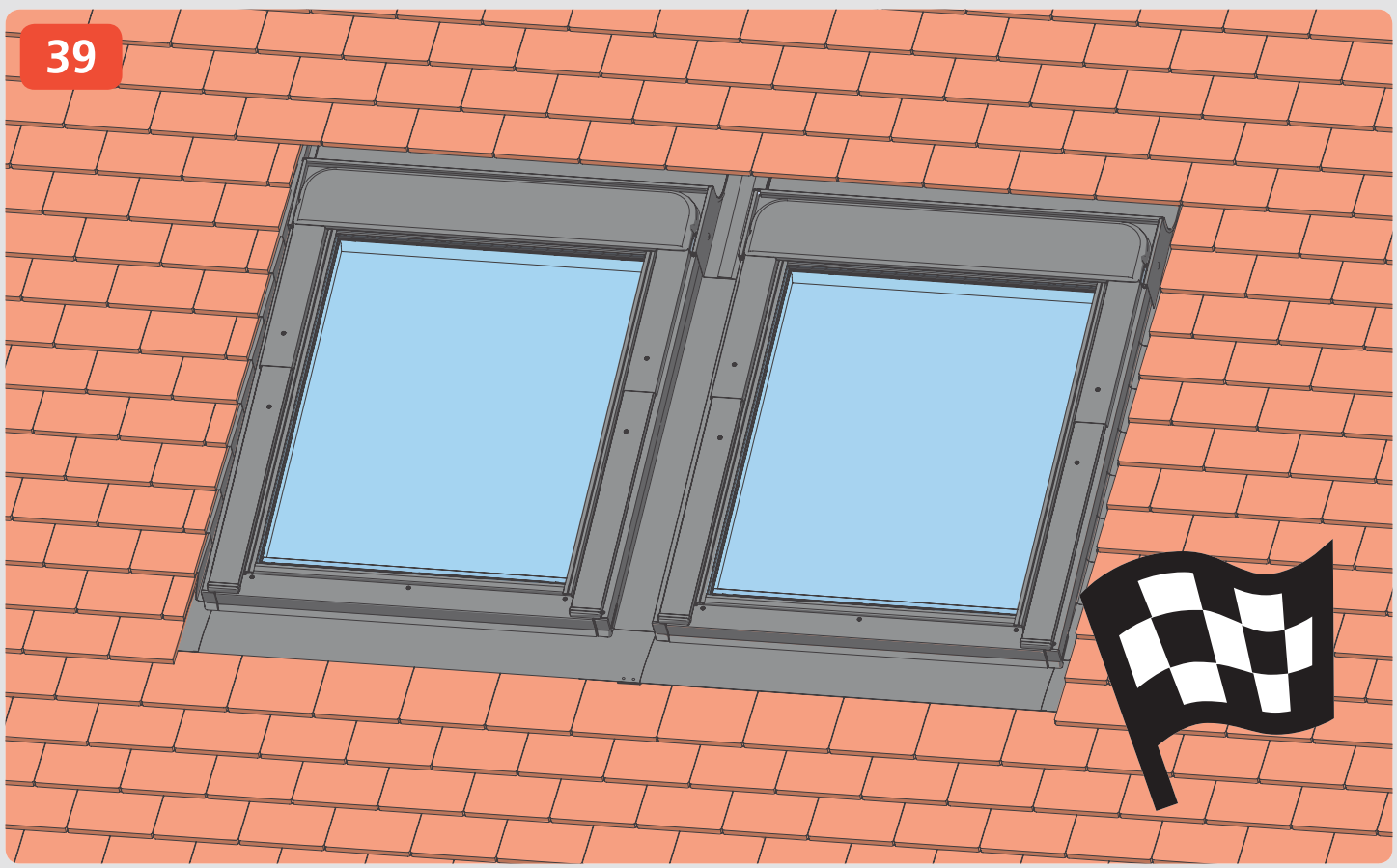
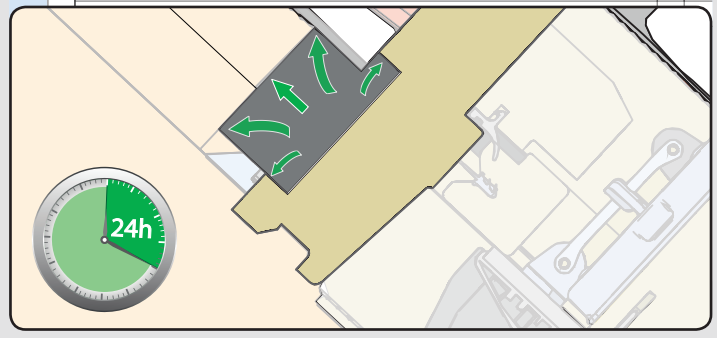
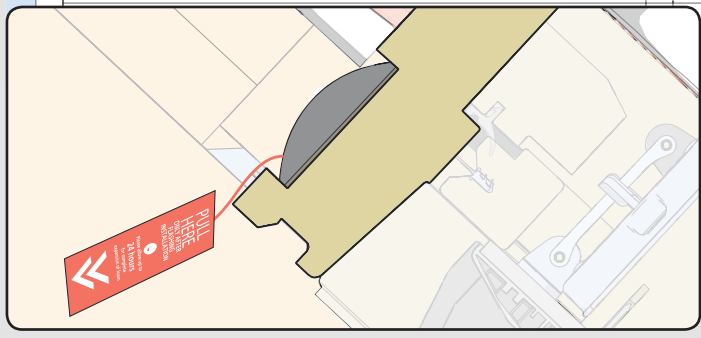
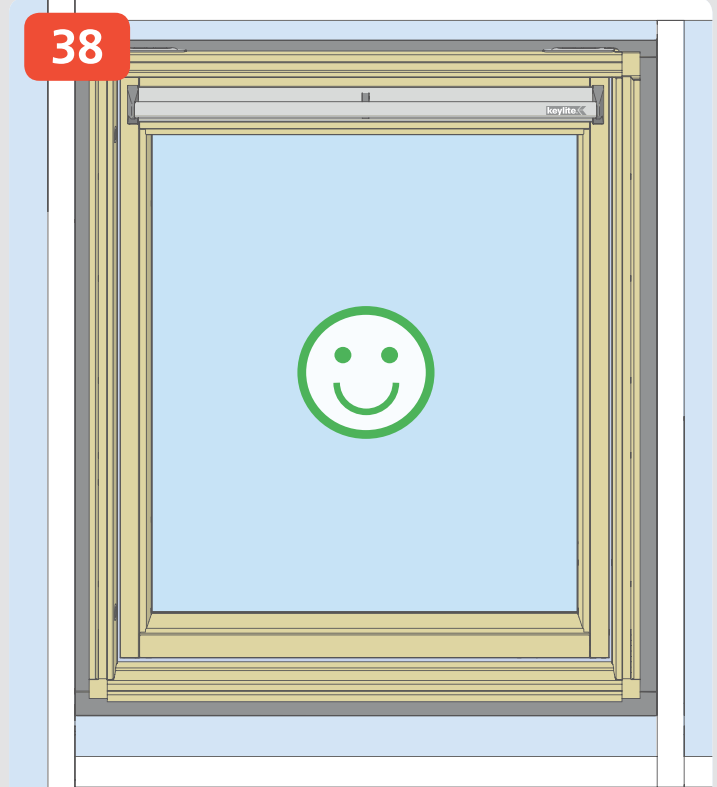
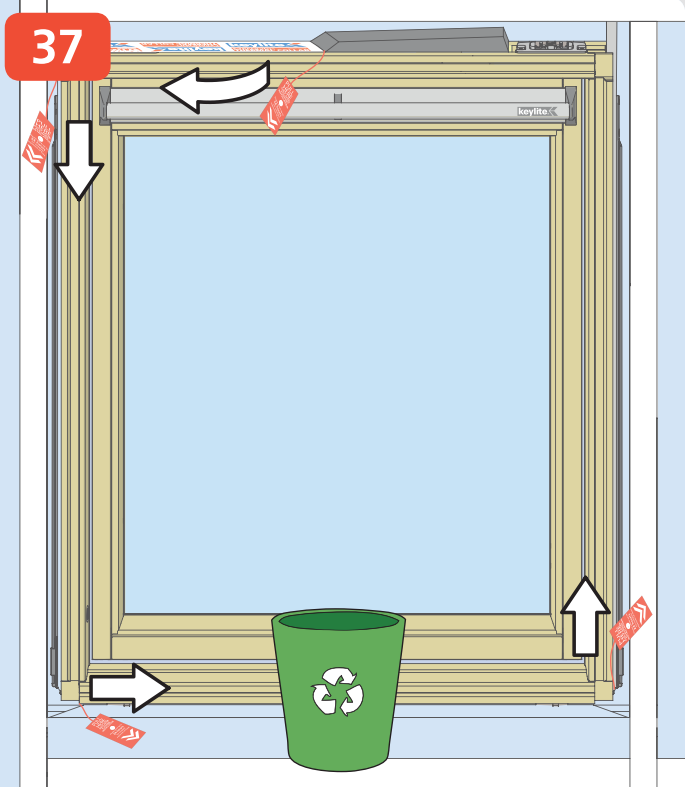
C-PTRF 50

4x



36







[www.keyliteroofwindows.com](http://www.keyliteroofwindows.com)